

MINI PCI SOCKET



5497 SERIES. MINI PCI socket.

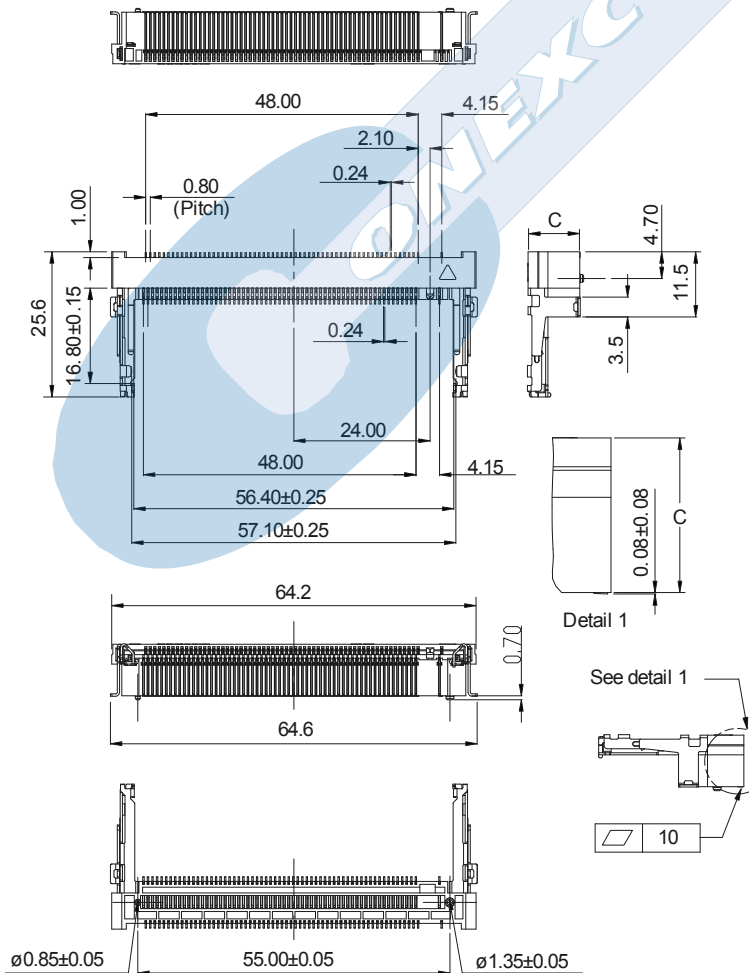
General Features

- Accept MINI PCI card (124 contacts)
- Contact area: different gold plating over 50 μ nickel
- Solder area: tin plating over 50 μ nickel
- Stand-off: 9.20 mm.

Materials

- Insulator: LCP UL 94 V-0
- Contact: Phosphor bronze
- Metal spring: Stainless steel
- Operating temperature: -25°C to +85°C
- RoHS compliant

Dimensional Information



Electrical Features

- Voltage rating: < 25 V
- Current rating: < 0.30 A
- Contact resistance: < 30 mΩ
- Dielectric withstanding voltage: 250 V AC/minute
- Insulation resistance: >500 MΩ

Mechanical Features

- Insertion force: > 50 gf/pin
- Durability: 100 cycles



5497 - T- 124- L

1 2 3 4

1. Series

2. Plating Options

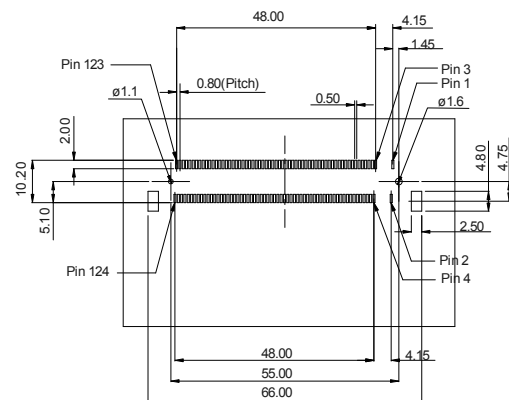
- T = 5. 15μ" gold over nickel
Recommended Finish

3. Number of circuits

- Available in 124 circuits

4. Stand-off Options

- L = 2. Dim. C= 9.20 mm.
- L = 4. Dim. C= 4.00 mm.
- L = 5. Dim. C= 5.20 mm.
- L = 6. Dim. C= 5.60 mm.



RECOMMENDED PCB LAYOUT