

POWER SOCKET RAST 5.0

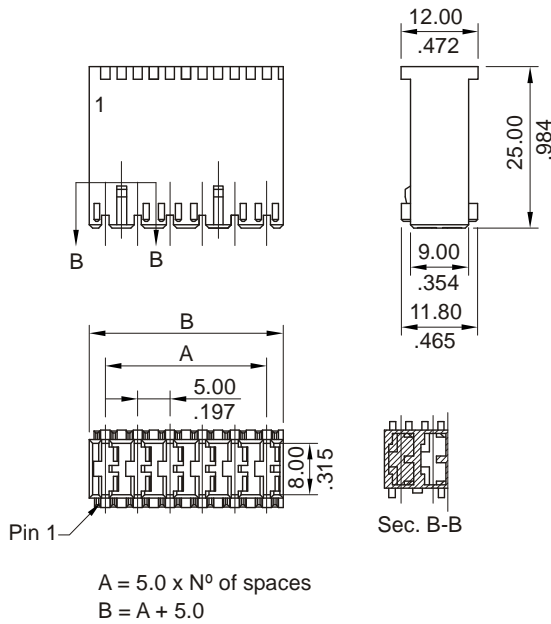


5525 SERIES. 5.00 mm. (0.197").

Features

- Available in 2 through 12 circuits
- Insulator: PA 66 UL 94V-0
-
- Accepts 5526 series terminals
- Mate with 5527 and 5528series
- Current Rating: 16 A AC, DC
- Consult Options with the Sales Office

Dimensional Information



Part Number

5525 - 2- XX- PP- C- R

1 2 3 4 5 6

1. Connector Serie

3. (XX) Circuit Size

- Available in 2 through 12 circuits

4. (PP) Polarisation Options

- Check enclosed Table (Pages 46 – 47)

5. (C) Colour

- C = 1. White
- C = 2. Blue

6. (R) Lock Options

- R = 1. With Lock
- R = 2. Without Lock

CRIMP TERMINAL FOR 5525 SOCKET

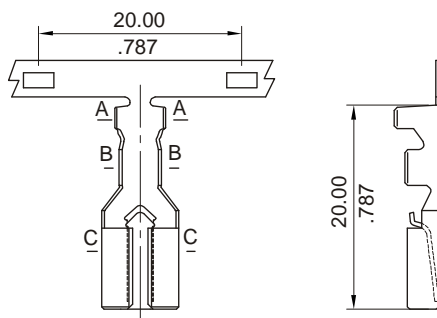


5526 SERIES. Lateral Carrier.

Features

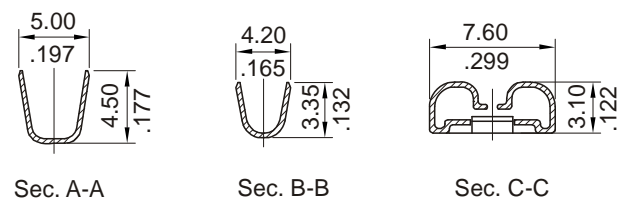
- Use in 5525 socket series
- Acomódate wire range AWG 14 to 18
- Material: Phosphor Bronze
- Plating: Tin Plated

Dimensional Information:



Part Number:

Type	Part Number	Material	Wire Range
Chain	5526-2000	Phosphor Bronze	14 – 18 AWG
Loose Piece	5526-2001	Phosphor Bronze	14 – 18 AWG



RAST 5.0 KEY LOCK OPTIONS



● Circuit Size and Key Lock (Top Side View)

Type	0A	0B	0C	0D	0E	0F	0G	0H	0I	0K	0L	0M	0N	0O	0P
POL / RET 2 Circ.															

0Q	80

Type	0A	0B	0C	0D	0E	0F	0G	0H	0I	0K	80	81
POL / RET 3 Circ.												

Type	0A	0B	0C	0D	0E	0F	0G	0I	02
POL / RET 4 Circ.									

03	04	05	80	81	82

Type	0A	0B	0C	0D	05	06	80	81
POL / RET 5 Circ.								

83	84

Type	0A	0B	0C	0D	0E	0I
POL / RET 6 Circ.						

04	06	14	80	81

Type	0A	0B	1B	0C	03
POL / RET 7 Circ.					

04	14	34	80	81

Type	0C	0D	08	10	80
POL / RET 8 Circ.					

81

RAST 5.0 KEY LOCK OPTIONS



- Circuit Size and Key Lock (Top Side View)

Type	0A	0B	0C	0D
POL / RET 9 Circ.				

08	80	81

Type	0A	01	02	80
POL / RET 10 Circ.				

Type	0A	0B	0C	01
POL / RET 11 Circ.				

13	80

Type	80
POL / RET 12 Circ.	

