

RAST 2.5 PCB TOP ENTRY MALE



5531 SERIES. 2.50 mm. (0.098") pitch.

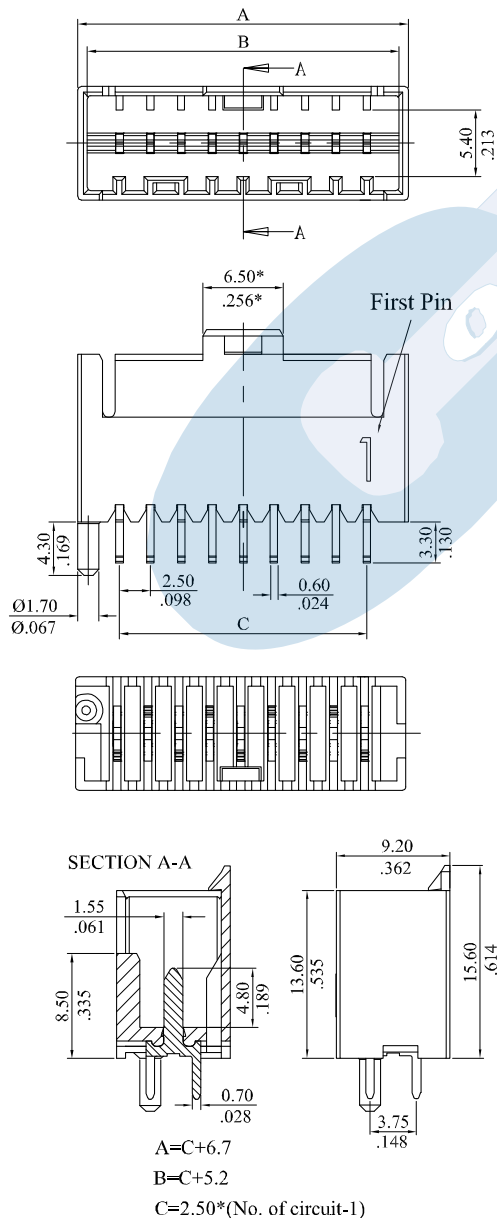
General Features

- Available in 2 through 10 circuits
- Allow wire to PCB connections
- Mates with RAST 2.5 IDT header 5530 series
- Polarised with friction locking

Materials

- Insulator: PA+30% GF UL 94 V-0
- Contact: Brass
- Operating temperature: -40°C to +110°C
- RoHS compliant

Dimensional Information

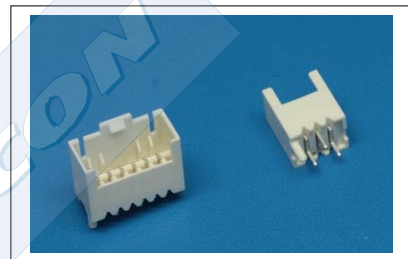


Electrical Features

- Voltage rating : 250 V
- Current rating: 4 A
- Contact resistance: < 20 mΩ
- Dielectric Withstanding Voltage: 1000 V AC/minute
- Insulation resistance: >500 MΩ

Mechanical Features

- Wire Retention Force from base: > 1 Kg
- Durability: 25 cycles



5531 - 2- XX- L- P- PK

1 2 3 4 5

1. Connector series

2. (XX) Number of circuits

- Available in 2 to 10 circuits

3. (L) Lock options

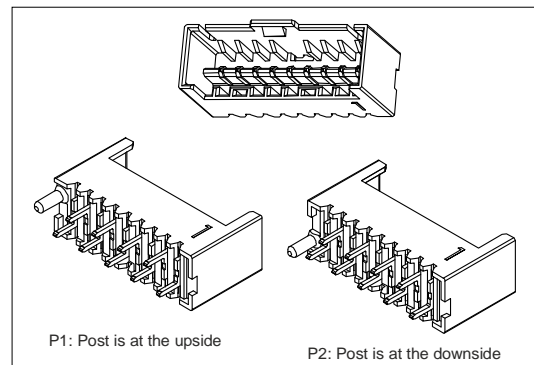
- L=1. With lock
- L=2. Without lock

4. (P) Pin configuration

Replace P for the selected connector. Check Enclosed option in page 2

5. (PK) Position Key options

Check options in page 3 and replace PK for the selected connector

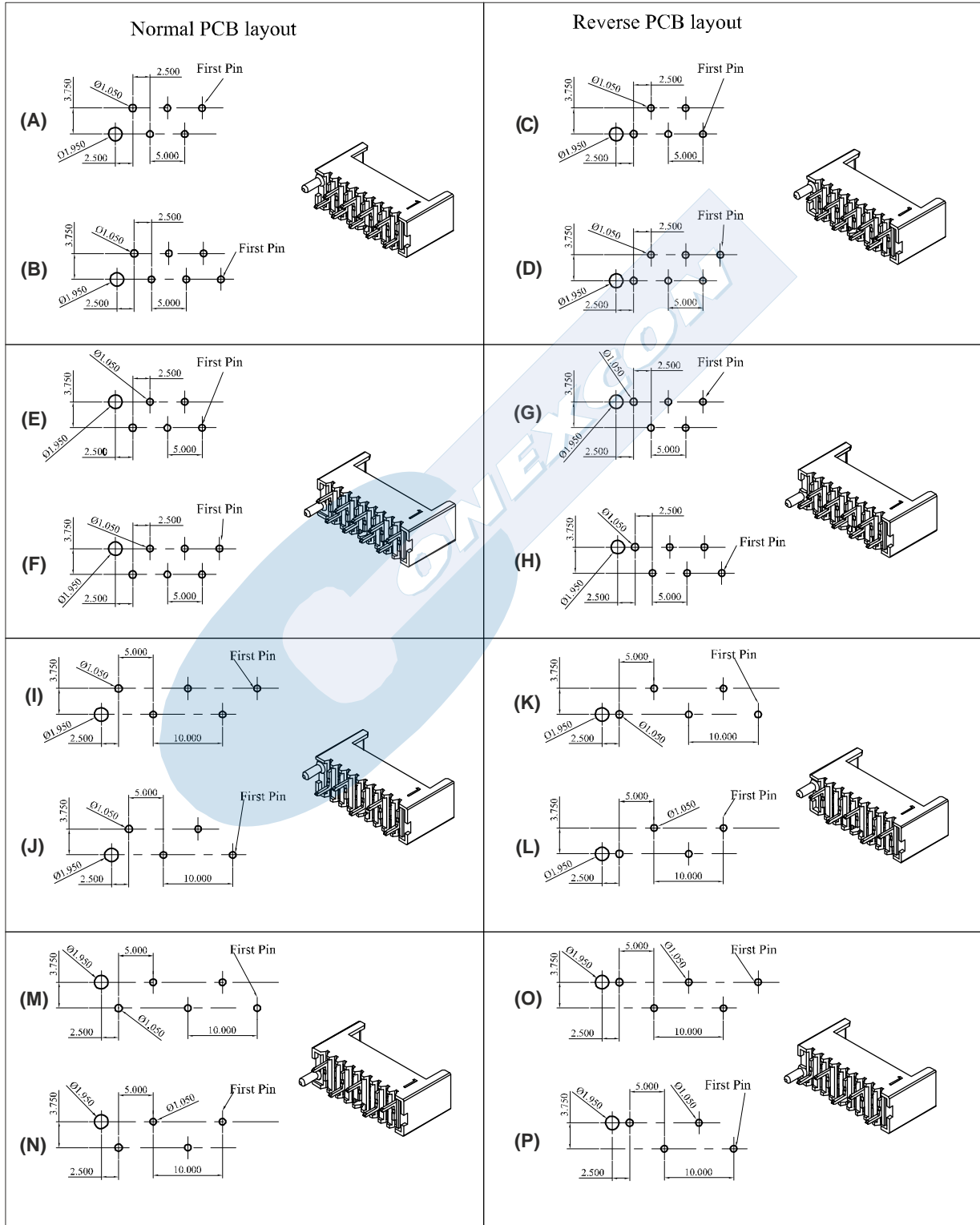


RAST 2.5 PCB TOP ENTRY MALE



5531 SERIES. 2.50 mm. (0.098") pitch.

(P): CONFIGURATION PIN



RAST 2.5 PCB TOP ENTRY MALE



5531 SERIES. 2.50 mm. (0.098") pitch.

(PK): POSITION KEY OPTIONS

* See from top side

TYPE	0A
KEY/LOCK	
2-way	

TYPE	0A	0B	0C
KEY/LOCK			
3-way			

TYPE	0A
KEY/LOCK	
4-way	

TYPE	0A	0B
KEY/LOCK		
5-way		

TYPE	0A
KEY/LOCK	
6-way	

TYPE	0A
KEY/LOCK	
7-way	

TYPE	0A	0B
KEY/LOCK		
8-way		

TYPE	0A	0B
KEY/LOCK		
9-way		

TYPE	0A
KEY/LOCK	
10-way	

