

HDMI CONNECTOR RIGHT ANGLE SMT



5645 SERIES. HDMI Connector.

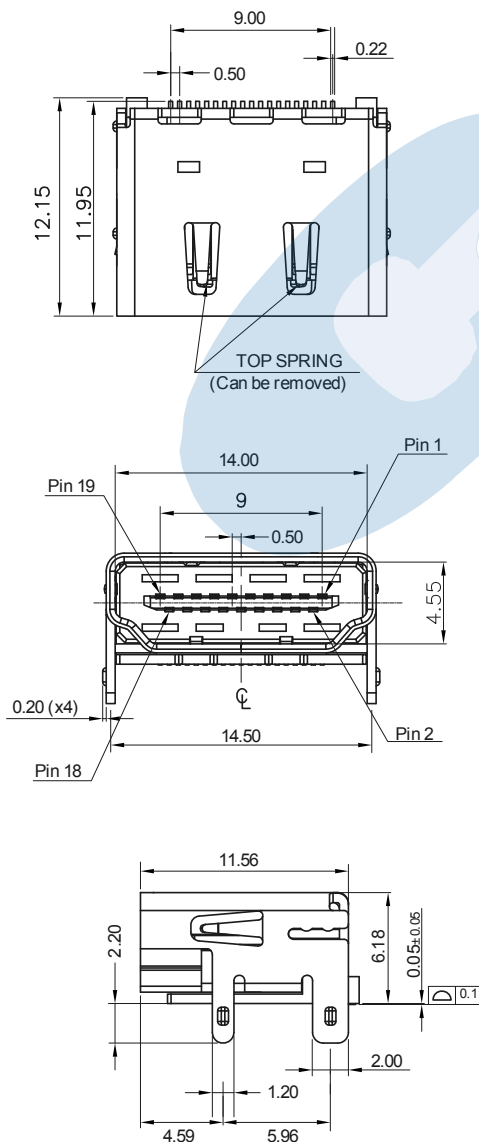
General Features

- Standard HDMI dimensions
- Contact area: different gold plating over 50 μ" nickel
- Solder area: tin plating over 50 U nickel
- Stand-off: 0 mm.
- Trough hole fixing tabs

Materials

- Insulator: LCP+35% GF UL 94 V-0
- Shell: Brass thickness 0.50 mm
- Contact: Brass thickness 0.25 mm
- Operating temperature. -25°C to +85°C
- RoHS compliant

Dimensional Information

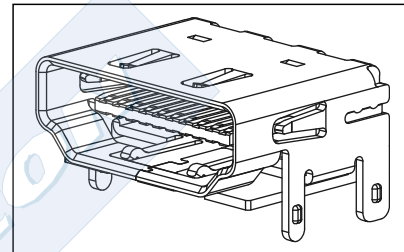


Electrical Features

- Voltage rating: < 50 V
- Current rating: < 0.50 A
- Contact resistance: < 10 mΩ
- Dielectric withstanding voltage: 300 V AC/minute
- Insulation resistance: >100 MΩ

Mechanical Features

- Durability: 100 cycles



5645 - T- 19- 1

1 2 3

1. Series

2. Plating Options

- T = 15. 15μ" Selec. gold over nickel
Recommended Finish

3. Number of circuits

- Available in 19 circuits

