

# 3.00mm MICRO POWER STRAIGHT HEADER



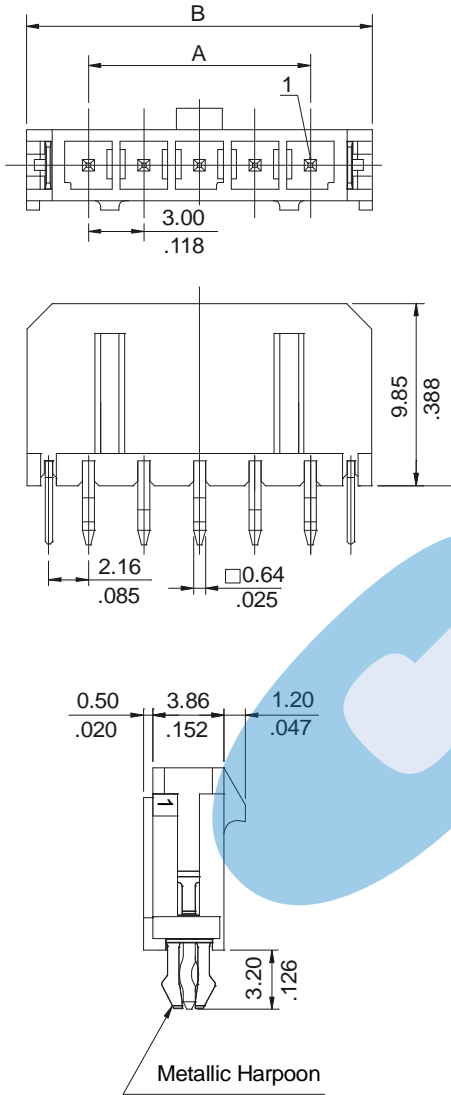
## 5766 SERIES. 3.00mm(0.118"). For High Current / High Density

### Features

- Available in 2 a 12 circuits in single row
- Material: Nylon 9T UL 94V-0
- Contact Material: Brass with different plating options
- Mates with 5750 series housing
- Positive lock
- Current Rating: 5 A max.

### Dimensional Information

### Ordering and Dimensional Information



Circuit Size	Part Number	Dimensions		
		A	B	C
2	5766 – T022	3.00 (.118)	9.65 (.380)	9.00 (.354)
3	5766 – T032	6.00 (.236)	12.65 (.498)	12.00 (.472)
4	5766 – T042	9.00 (.354)	15.65 (.616)	15.00 (.591)
5	5766 – T052	12.00 (.472)	18.65 (.734)	18.00 (.709)
6	5766 – T062	15.00 (.591)	21.65 (.852)	21.00 (.827)
7	5766 – T072	18.00 (.709)	24.65 (.970)	24.00 (.945)
8	5766 – T082	21.00 (.827)	27.65 (1.088)	27.00 (1.063)
9	5766 – T092	24.00 (.945)	30.65 (1.206)	30.00 (1.181)
10	5766 – T102	27.00 (1.063)	33.65 (1.325)	33.00 (1.299)
11	5766 – T112	30.00 (1.181)	36.65 (1.442)	36.00 (1.417)
12	5766 – T122	33.00 (1.299)	39.65 (1.561)	39.00 (1.535)

### T = Contact Plating

- T = 2. Tin plated  
Recommended Finish
- T = 3. Gold flash over 50µ" nickel.
- T = 5. 15µ" gold over 50µ" nickel
- T = 6. 30µ" gold over 50µ" nickel

