

CRIMP TERMINAL (AWG 16-20)



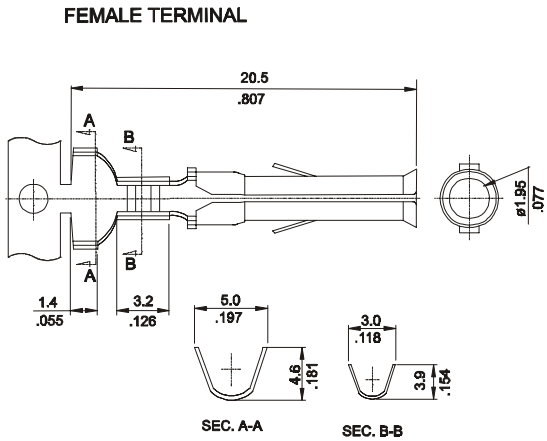
6701 & 6702 SERIES. 2.00mm(0.078"). Crimp Terminal.

Features

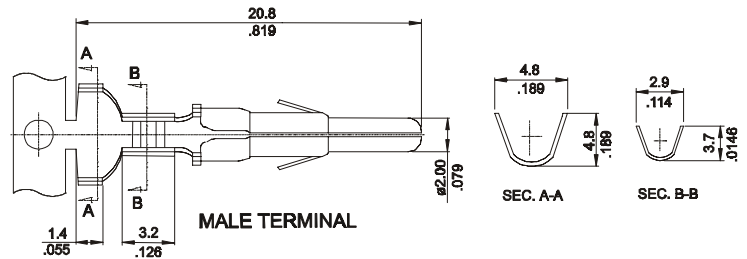
- Lateral Carrier
- Material: Tin-plated brass
- Current Rating: 7 A maximum
- Wire Ranges: AWG 16 - 20
- Contact Resistance: 20mΩ maximum
- Available in both Male and Female

Dimensional Information

Ordering and Dimensional Information



Type	Part Number	Material	Wire Ranges	Reel Quantity
Male	6701 - 2000	Brass, Tin Plated	AWG 16 - 20	5,000 Pcs (Reel)
Male	6701 - 2001	Brass, Tin Plated	AWG 16 - 20	Loose Piece
Female	6702 - 2000	Brass, Tin Plated	AWG 16 - 20	5,000 Pcs (Reel)
Female	6702 - 2001	Brass, Tin Plated	AWG 16 - 20	Loose Piece



CRIMP TERMINAL (AWG 20-24)



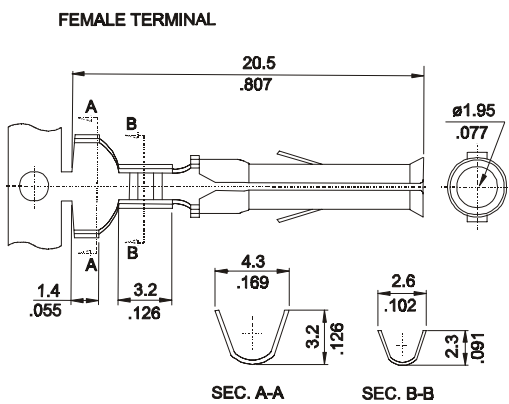
6703 & 6704 SERIES. 2.00 mm. (0.078"). Diameter Crimp Terminal.

Features

- Lateral Carrier
- Material: Tin-plated brass
- Current Rating: 7 A maximum
- Wire Ranges AWG 20 - 24
- Contact Resistance: 20mΩ maximum
- Available in both Male and Female

Dimensional Information

Ordering and Dimensional Information



Type	Part Number	Material	Wire Ranges	Reel Quantity
Male	6703 - 2000	Brass, Tin Plated	AWG 20 - 24	5,000 Pcs (Reel)
Male	6703 - 2001	Brass, Tin Plated	AWG 20 - 24	Loose Piece
Female	6704 - 2000	Brass, Tin Plated	AWG 20 - 24	5,000 Pcs (Reel)
Female	6704 - 2001	Brass, Tin Plated	AWG 20 - 24	Loose Piece

