

4.14mm PLUG & RECEPTACLE CONNECTOR



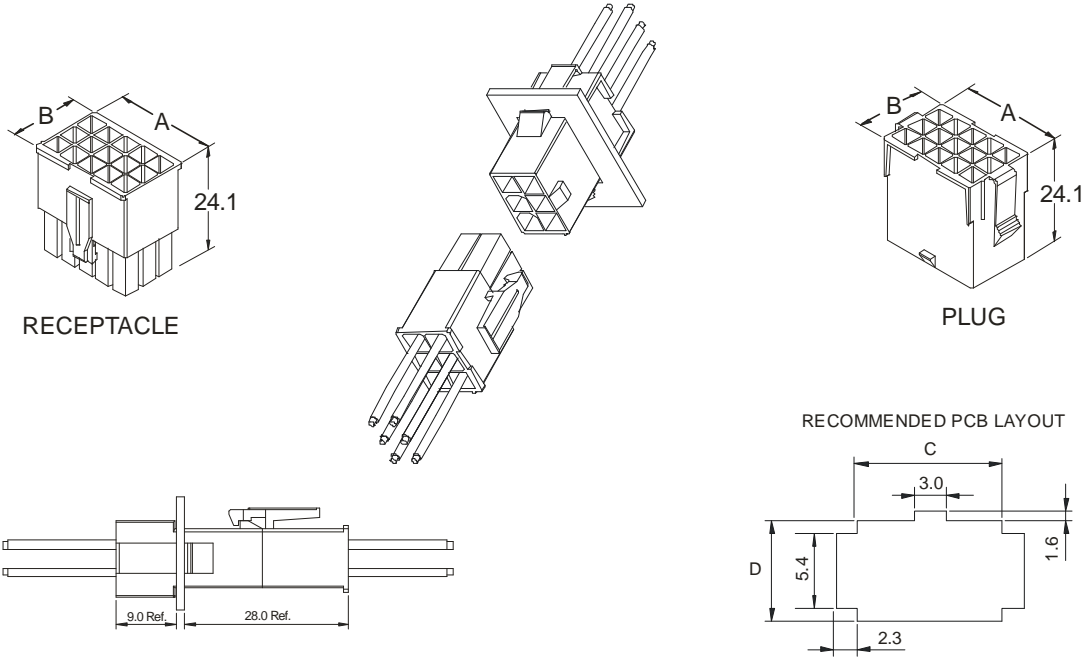
6710 SERIES. For Panel Mounted and Free Hanging.

Features

- Available in 1, 2, 3, 4, 6, 9, 12 and 15 circuits
- Mates with 6711 and 6712 crimp terminals
- Positive housing lock for secure mating retention
- Material: Nylon UL 94 V-2 or UL 94 V-0; Colour: Natural
- 4.14mm centre spacing wire to wire connector
- Optional GWT compliant*
- Current rating: 5A AC/DC
- Voltage rating: 600 AC/DC
- Temperature range: -25 to +85°C
- Applicable panel tickness: 0.8 to 2.0 mm.
- For free hanging or panel mounted

Dimensional Information

Ordering and Dimensional Information



RECEPTACLE

Circuit Size	Part Number				Dimensions			
	UL94V-0		UL94V-2		A	B	C	D
	With Ears	Without Ears	With Ears	Without Ears				
1	-	6710 - 1010	-	6710 - 1011	5.6	8.2	-	-
2	-	6710 - 1020	-	6710 - 1021	5.8	12.4	-	-
3	-	6710 - 1030	-	6710 - 1031	5.8	16.3	-	-
4	-	6710 - 1040	-	6710 - 1041	9.8	12.0	-	-
6	-	6710 - 1060	-	6710 - 1061	14.0	12.0	-	-
9	-	6710 - 1090	-	6710 - 1091	14.0	16.5	-	-
12	-	6710 - 1120	-	6710 - 1121	18.4	16.3	-	-
15	-	6710 - 1150	-	6710 - 1151	22.6	16.3	-	-

* For part with option GWT compliant: add E at the end of P/N

PLUG

Circuit Size	Part Number				Dimensions			
	UL94V-0		UL94V-2		A	B	C	D
	With Ears	Without Ears	With Ears	Without Ears				
1	6710 - 2010	6710 - 2013	6710 - 2011	6710 - 2012	5.6	6.9	-	-
2	6710 - 2020	6710 - 2023	6710 - 2021	6710 - 2022	5.8	10.8	6.4	10.6
3	6710 - 2030	6710 - 2033	6710 - 2031	6710 - 2032	5.8	15.0	6.4	14.8
4	6710 - 2040	6710 - 2043	6710 - 2041	6710 - 2042	9.8	12.0	10.6	10.6
6	6710 - 2060	6710 - 2063	6710 - 2061	6710 - 2062	14.0	12.0	14.8	10.6
9	6710 - 2090	6710 - 2093	6710 - 2091	6710 - 2092	14.0	16.5	14.8	14.8
12	6710 - 2120	6710 - 2123	6710 - 2121	6710 - 2122	18.4	16.3	19.0	14.8
15	6710 - 2150	6710 - 2153	6710 - 2151	6710 - 2152	22.4	16.3	23.2	14.8

* For part with option GWT compliant: add E at the end of P/N