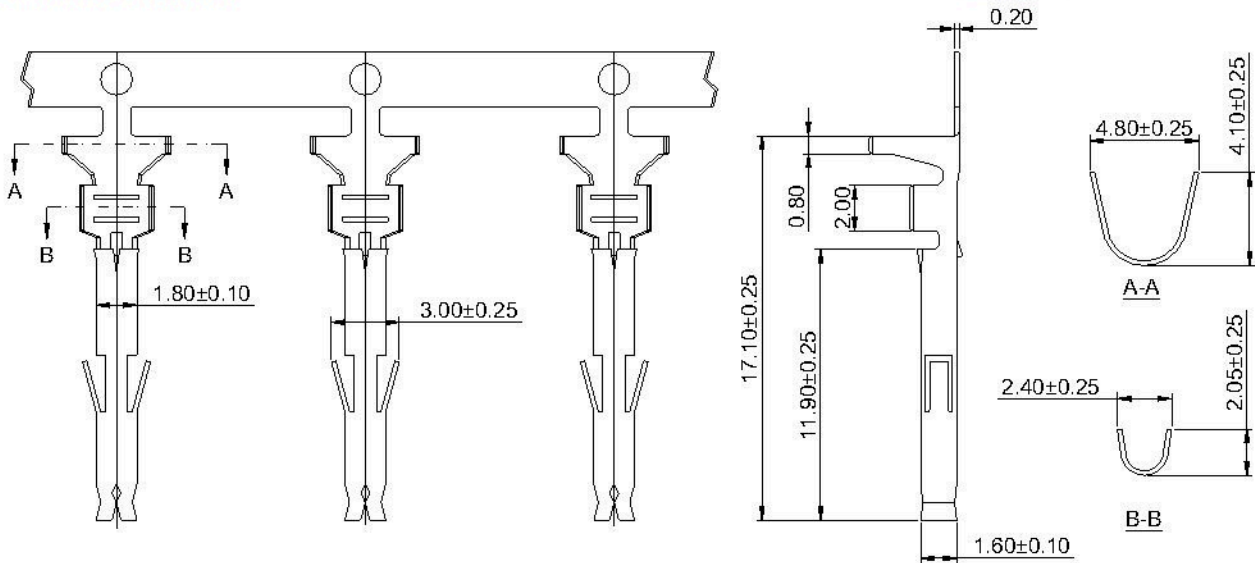


6712

4.14mm pitch Crimp Terminal

Reference Informations:

Used in Male Housing 6710



Ordering information & Specifications:

Unit:mm

Part NO.	Wire Range	Insulation O.D.	Material	Finish	Qty/reel
6712-2000	AWG#18-#22	3.00mm(max)	Brass	Tin over Nickel	4,000 PCS

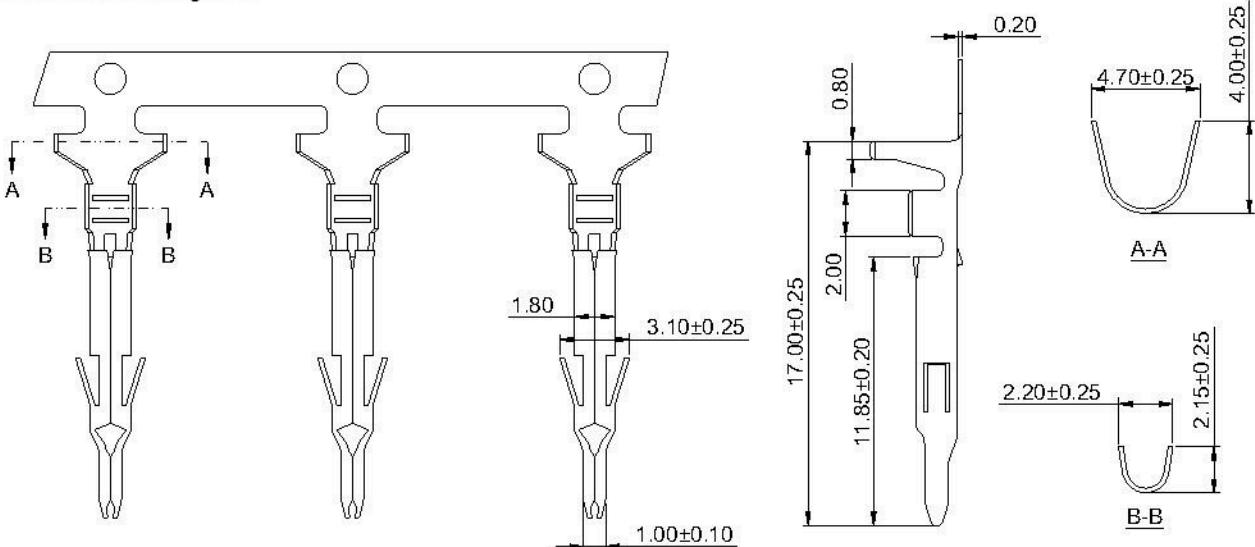
Optional Gold plating available but MOQ requested

6711

4.14mm pitch Crimp Terminal

Reference Informations:

Used in Female Housing 6710



Ordering information & Specifications:

Unit:mm

Part NO.	Wire Range	Insulation O.D.	Material	Finish	Qty/reel
6711-2000	AWG#18-#22	3.00mm(max)	Brass	Tin over Nickel	4,000 PCS

Optional Gold plating available but MOQ requested