

4.14 MM TOP ENTRY HEADER



6715 SERIES. 4.14 (0.163") mm pitch

General Features

Available in 2, 3, 4, 6, 8, 10, 12(3x4), 12(2x6), 14, 15(3x5), 16, 18, 20, 22 and 24 circuits

Mates with 4.14 mm crimp housing 6710 series

Round pin 1,14mm diameter tin plated

Fully shrouded with polarized slot

Positive lock

Materials

Insulator: Nylon UL 94 V-0 or Nylon 66 UL 94 V-2

Terminal: Tin plated brass

Operating temperature. -25°C to + 85°C

RoHS compliant

Electrical Features

Voltage: < 600 V

Current: < 5 A

Contact resistance: < 10 mΩ

Dielectric Withstanding Voltage: 1500 V AC/minute

Insulation Resistance: >1000 MΩ

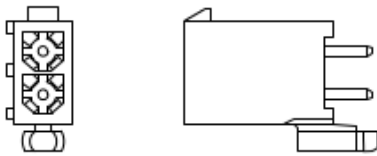
Mechanical features

Pin retention force to insulator: > 1.00 Kgf

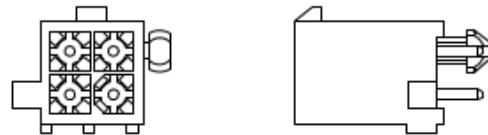
Durability: 25 cycles

Pin configuration

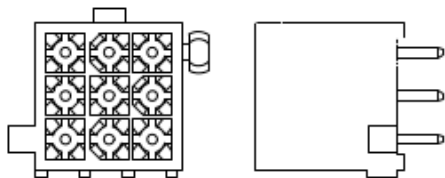
2P and 3P Circuit , Single Row



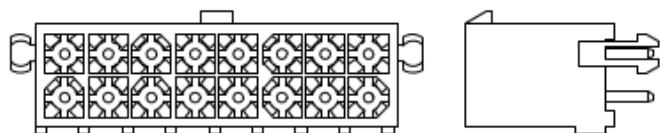
2x2P,2x3P,2x4P,2x5P and 2x6P Circuit , Dual Row



3x3P,3x4P and 3x5P Circuit , Triple Row



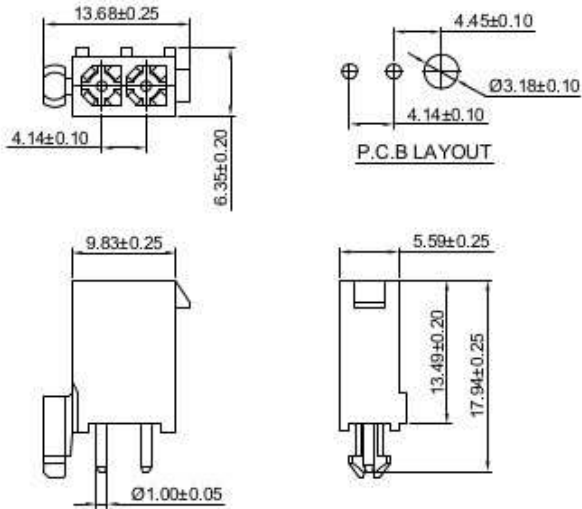
2x7P,2x8P,2x9P,2x10P,2x11P and 2x12P Circuit , Dual Row



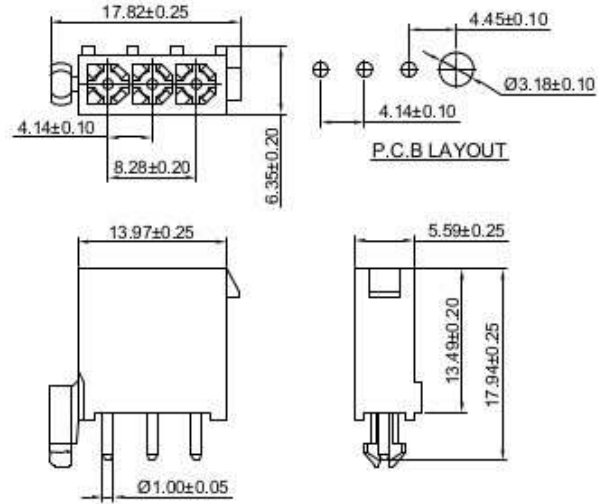
4.14 mm TOP ENTRY HEADER 6715 Series



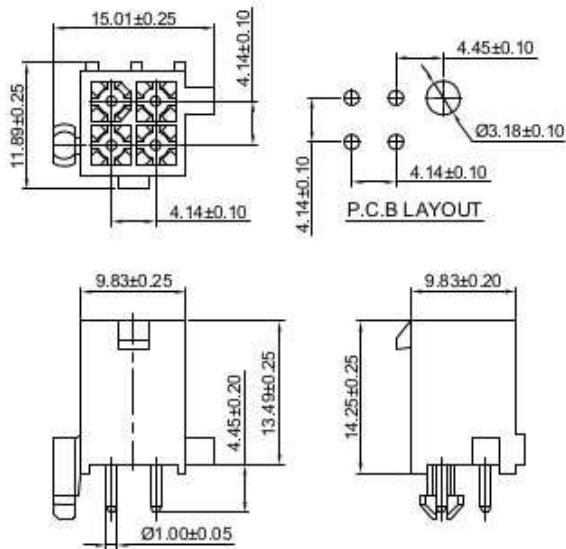
6715-2021



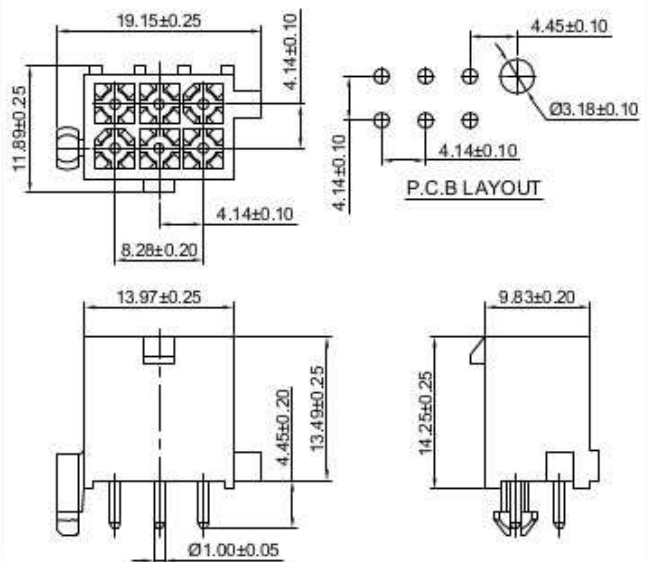
6715-2031



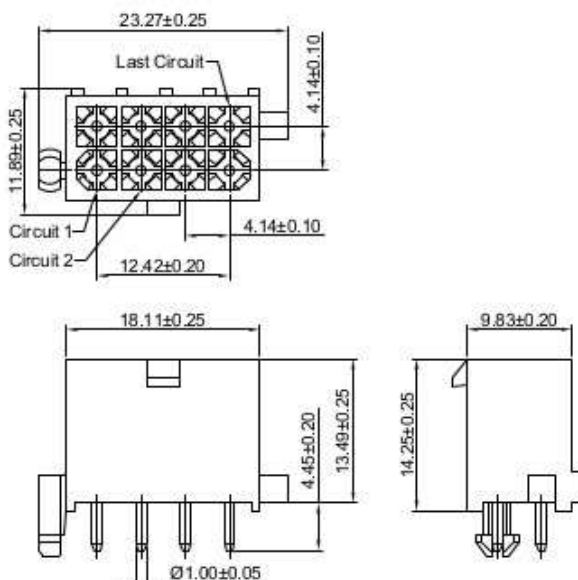
6715-2041



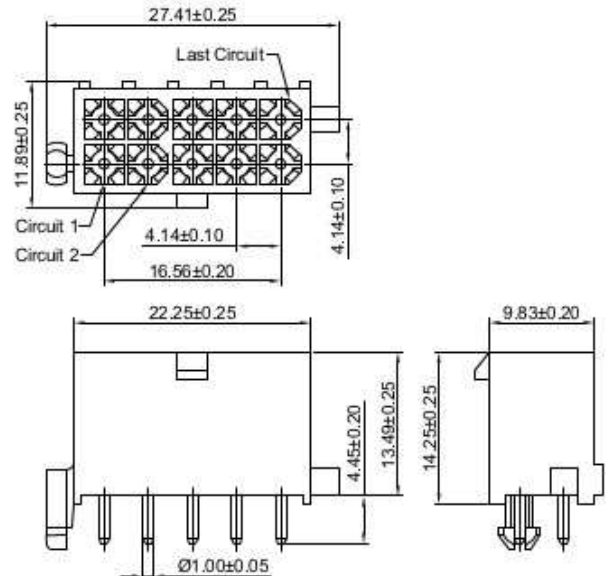
6715-2061



6715-2081



6715-2101



4.14 mm TOP ENTRY HEADER 6715 Series

