

2.36 mm CRIMP TERMINAL (AWG 14-20)



6721 & 6722 SERIES. 2.36mm(0.093") Crimp Terminal.

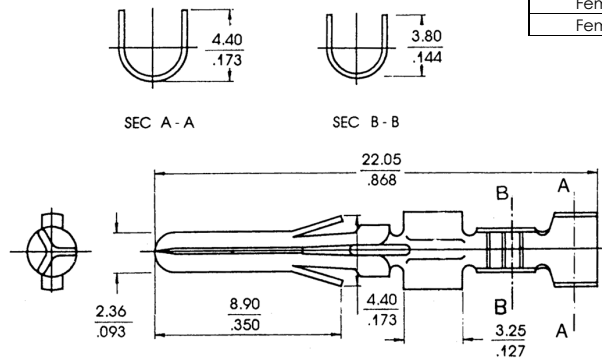
Features

- Lateral Carrier
- Material: Tin-plated brass
- Current Rating: 12 A maximum
- Contact Resistance: 3mΩ maximum
- Insertion force: 1.60 Kgs.
- Pin disconnection force: 1.25 Kgs.

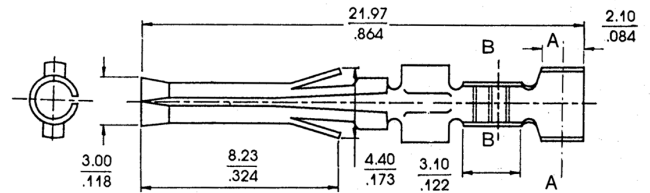
Dimensional Information

Ordering and Dimensional Information

Type	Part Number	Material	Wire Ranges	Reel Quantity
Male	6721-2003	Brass, Tin Plated	AWG 14 - 20	5,000 Pcs (Reel)
Male	6721-2001	Brass, Tin Plated	AWG 14 - 20	Loose Piece
Female	6722 - 2003	Brass, Tin Plated	AWG 14 - 20	5,000 Pcs (Reel)
Female	6722 - 2001	Brass, Tin Plated	AWG 14 - 20	Loose Piece



Male Terminal



Female Terminal

2.36 mm CRIMP TERMINAL (AWG 18-22)



6723 & 6724 SERIES. 2.36mm(0.093") Crimp Terminal.

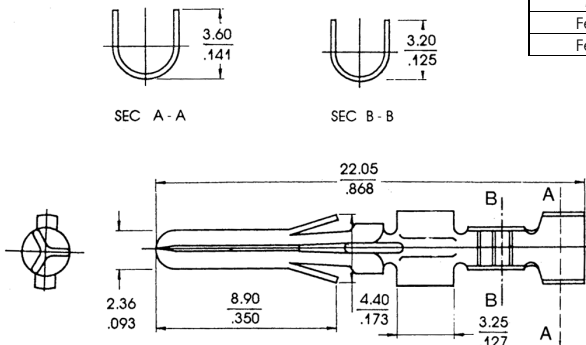
Features

- Lateral Carrier
- Material: Tin-plated brass
- Current Rating: 12 A maximum
- Contact Resistance: 3mΩ maximum
- Insertion force: 1.60 Kgs.
- Pin disconnection force: 1.25 Kgs.

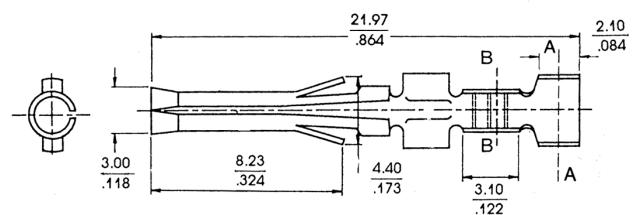
Dimensional Information

Ordering and Dimensional Information

Type	Part Number	Material	Wire Ranges	Reel Quantity
Male	6723-2003	Brass, Tin Plated	AWG 18 - 22	5,000 Pcs (Reel)
Male	6723-2001	Brass, Tin Plated	AWG 18 - 22	Loose Piece
Female	6724 - 2003	Brass, Tin Plated	AWG 18 - 22	5,000 Pcs (Reel)
Female	6724 - 2001	Brass, Tin Plated	AWG 18 - 22	Loose Piece



Male Terminal



Female Terminal