

2.13 mm. DIAMETER SIDE ENTRY PLUG



6768 SERIES. 6.35 mm. (0.250") Pitch.

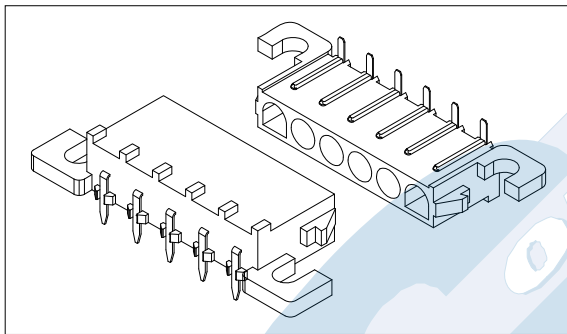
General Features

- Available in 2, 3, 4, 5 and 6 circuits
- Mates with 2.13 mm. diameter crimp housing receptacle 6760 series
- Round male contact 2.13 mm. diameter tin plated
- Fully shrouded with polarized slot
- Positive lock

Materials

- Insulator: Nylon 6/6 UL 94 V-0
- Terminal: Tin plated brass
- Operating temperature: -25°C to +85°C
- RoHS compliant

Dimensional Information



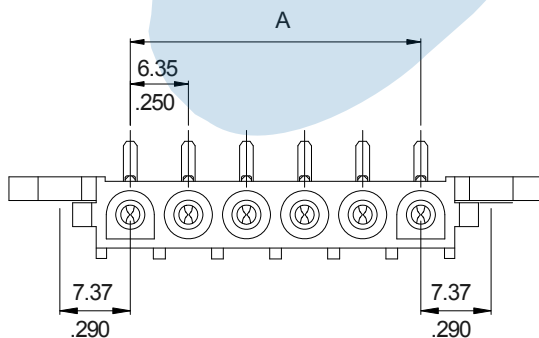
Electrical Features

- Voltage rating: < 600V
- Current rating: < 5 A
- Contact resistance: < 10 mΩ
- Dielectric withstanding voltage: 5000 V AC/minute
- Insulation resistance: >1000 MΩ

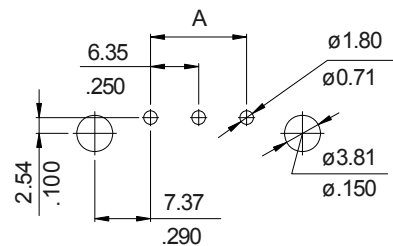
Mechanical Features

- Pin retention force to insulator: < 1.00 Kgf
- Durability: 25 cycles

Circuit Size	Part Number	Dimensions	
		A	B
2	6768 – 2020	6.35 (0.250)	14.10 (0.555)
3	6768 – 2030	12.70 (0.500)	20.45 (0.850)
4	6768 – 2040	19.05 (0.750)	26.80 (1.055)
5	6768 – 2050	25.40 (1.000)	33.15 (1.305)
6	6768 – 2060	31.75 (1.250)	39.50 (1.555)



RECOMMENDED HOLE PATTERN



(Recommended PCB Thickness: 1 ~ 1.6)

