

# 2.13 mm. DIAMETER TOP ENTRY PLUG



## 6769 SERIES. 6.35 mm. (0.250") Pitch.

### General Features

- Available in 2, 3, 4, 5, 6, 9, 10, 12 and 15 circuits
- Mates with 2.13 mm. diameter crimp housing 6760 series
- Round female contact 2.13 mm. diameter tin plated
- Fully shrouded with polarized slot
- Positive lock

### Materials

- Insulator: Nylon 6/6 UL 94 V-0
- Terminal: Tin plated brass
- Operating temperature: -25°C to +85°C
- RoHS compliant

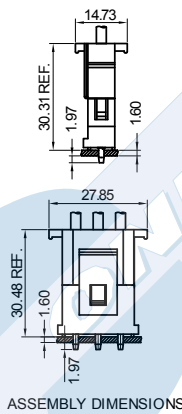
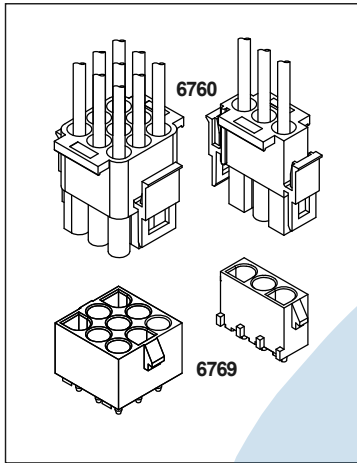
### Dimensional Information

### Electrical Features

- Voltage rating: < 600V
- Current rating: < 5 A
- Contact resistance: < 10 mΩ
- Dielectric withstanding voltage: 5000 V AC/minute
- Insulation resistance: >1000 MΩ

### Mechanical Features

- Pin retention force to insulator: < 1.00 Kgf
- Durability: 25 cycles



Circuits	Part Number		Dimensions A
	W/O fixing peg	With fixing peg	
2	6769 – 2020	6769 – 2021	13.97 (0.550)
3	6769 – 2030	6769 – 2031	20.32 (0.800)
4	6769 – 2040	6769 – 2041	26.67 (1.050)
6	6769 – 2060	6769 – 2061	39.37 (1.550)
9	6769 – 2090	6769 – 2091	23.00 (0.905)
10	6769 – 2100	6769 – 2101	64.77 (2.55)
12	6769 – 2120	6769 – 2121	26.67 (1.050)
15	6769 – 2150	6769 – 2151	33.02 (1.300)

