

Material & Finish :

\* Insulation: Nylon 66 , Color Nature

\* Contact: Brass

Circuits	Dimension	
	A	B
04	4.20(.165)	15.2(.598)
06	8.40(.331)	19.4(.764)
10	16.80(.661)	27.8(1.094)
14	25.20(.992)	36.2(1.425)
18	33.60(1.323)	44.6(1.756)
24	46.20(1.819)	57.2(2.252)

**Ordering Information:**

**6783- T- XX- P**  
 1 2 3 4

**1. Connector Series**

**2. (T) Contact Plating**

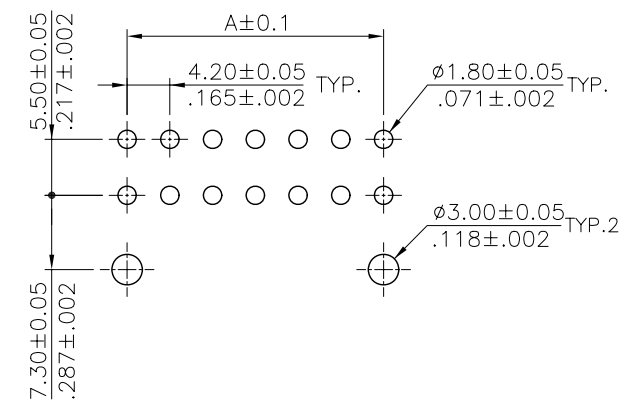
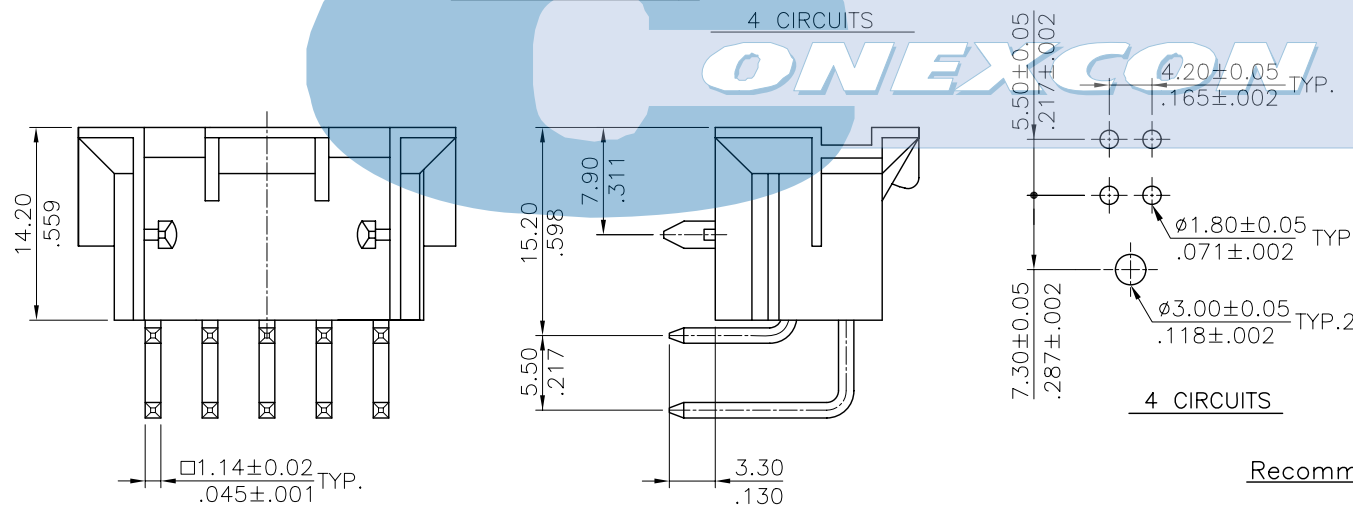
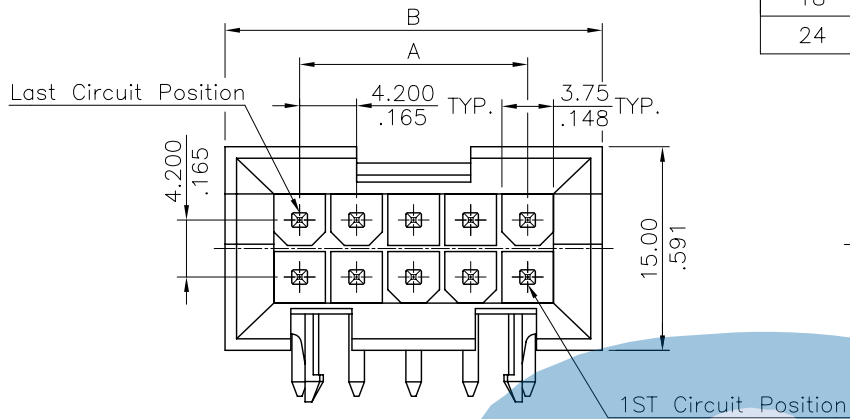
- T = 2. Tin plated  
Recommended Finish

**3. (XX) Circuit Size**


- Available in 4, 6, 10, 14, 18, and 24 circuits

**4. (P) Finish Options**

- P = 0. UL 94V-0
- P = 1. UL 94V-2



Recommended P.C. Board layout

4					DATE	UNIT: mm / inch	TITLE: CP-014 SERIES BMI RIGHT ANGLE TYPE CONN.				
3				DRAWN BY: Eisley	02/19-02'	TOLERANCE UNLESS OTHERWISE SPECIFIED	MATERIAL:				
2				ENGINEER: David	02/19-02'	.X ± 0.38/.015 X' ± 1'	FINISH:	SCALE	2 / 1	SHEET	1 OF 1
1				CHECKED BY: David	02/19-02'	.XX ± 0.25/.010 .X' ±					
SYM	NAME	DATE	REVISIONS	APPROVED BY: Alex	02/19-02'	.XXX ± 0.10/.004 .XX' ±					