

# SIDE ENTRY PCB JACK FCC-68



## 6810 SERIES. Right angle PCB jack.

### General Features

- Available in 4/4, 6/2, 6/4, 6/6, 8/6 and 8/8 circuits
- Standard telephone jack FCC-68
- 16.00 mm. height
- Accept standard plugs FCC-68
- Selective gold plating with different plating
- Bifurcated foot print

### Materials

- Insulator: Thermoplastic UL 94V-0
- Contact: 0.35 mm. thickness in phosphor bronze
- Operating temperature. -25°C to + 85°C
- RoHS compliant

### Dimensional Information

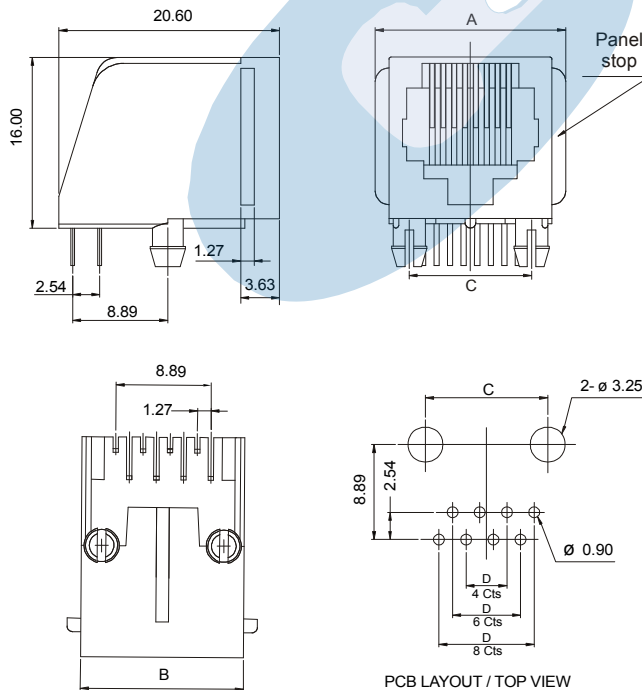
### Electrical Features

- Voltage rating: < 125V
- Current rating: < 1.50 A
- Contact resistance: < 20 mΩ
- Dielectric withstanding voltage: 300 V AC/minute
- Insulation resistance: >1000 MΩ

### Mechanical Features

- Durability: 1000 cycles

Circuit Size	Part Number		DIMENSIONES			
	W/O Panel Stop	With Panel Stop	A	B	C	D
4/4	6810 – T440	6810 – T441	13.72 (0.540)	11.18 (0.440)	7.62 (0.300)	3.81 (0.150)
6/2	6810 – T620	6810 – T621	15.75 (0.620)	13.21 (0.520)	10.16 (0.400)	1.27 (0.050)
6/4	6810 – T640	6810 – T641	15.75 (0.620)	13.21 (0.520)	10.16 (0.400)	3.81 (0.150)
6/6	6810 – T660	6810 – T661	15.75 (0.620)	13.21 (0.520)	10.16 (0.400)	6.35 (0.250)
8/6	6810 – T860	6810 – T861	17.78 (0.700)	15.24 (0.600)	11.43 (0.450)	6.35 (0.250)
8/8	6810 – T880	6810 – T881	17.78 (0.700)	15.24 (0.600)	11.43 (0.450)	8.89 (0.350)



### T = Plating Options

- T = 4. 10μ" gold over nickel
- T = 5. 15μ" gold over nickel
- T = 6. 30μ" gold over nickel
- T = 7. 50μ" gold over nickel

