

SIDE ENTRY DUAL PORT PCB JACK FCC-68



6824 SERIES. Right angle PCB jack. Plastic Peg.

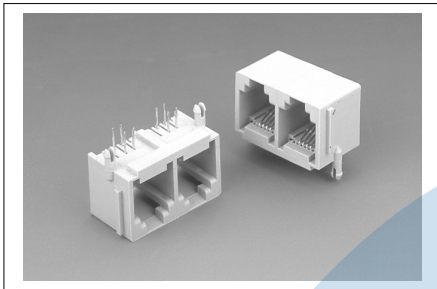
General Features

- Available in 6/2, 6/4 and 6/6 circuits
- Standard telephone jack FCC-68
- 15.40 mm. height
- Accept standard plugs FCC-68
- Full gold plating with different plating
- Bifurcated plastic foot print

Materials

- Insulator: Thermoplastic UL 94V-0
- Contact: 0.46 mm round in phosphor bronze
- Operating temperature. -25°C to + 85°C
- RoHS compliant

Dimensional Information



Electrical Features

- Voltage rating: < 125V
- Current rating: < 1.50 A
- Contact resistance: < 20 mΩ
- Dielectric withstanding voltage: 300 V AC/minute
- Insulation resistance: >1000 MΩ

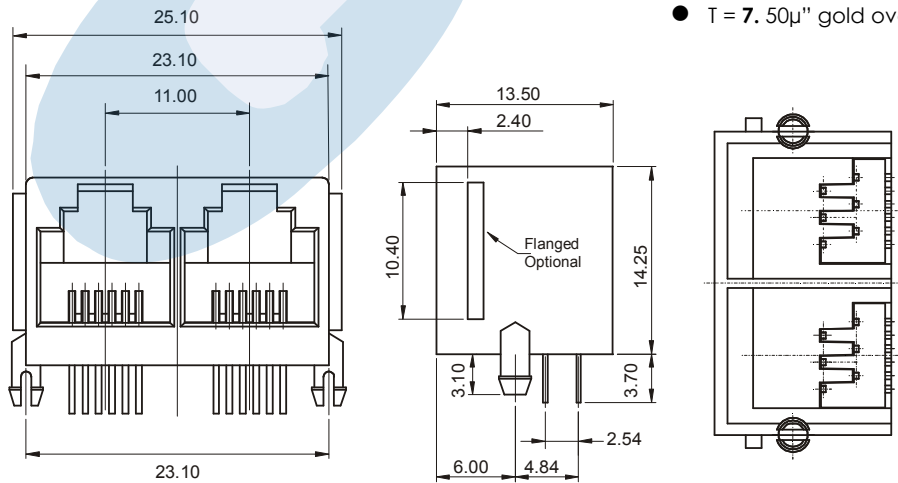
Mechanical Features

- Durability: 1000 cycles

Options	Dimensions		
	6/2 Version	6/4 Version	6/6 Version
Flanged	6824 – T621	6824 – T641	6824 – T661
Flangeless	6824 – T622	6824 – T642	6824 – T662

T = Plating Options

- T = 4. 10μ" gold over nickel
- T = 5. 15μ" gold over nickel
- T = 6. 30μ" gold over nickel
- T = 7. 50μ" gold over nickel



RECOMMENDED HOLE PATTERN

