

TEL. PLUGS FCC-68 8 CONTACTS CAT 6



6868 SERIES. 8 circuits modular plugs.

General Features

- Available in 8/8 circuits
- Standard telephone plug 8 circuits FCC-68 RJ 45
- Use cable Cat. 6 UTP and STP 6876 series
- Insulation piercing termination
- 2 prongs for stranded wire and 2 prongs for solid wire
- Insert holder to easy assembly to the cable

Materials

- Insulator: Polycarbonate UL 94V-0
- Contact: Phosphor Bronze
- Operating temperature: -25°C to +85°C
- RoHS compliant

Dimension Information

Circuits	Part Number			
	Unshielded		Shielded	
	Solid Cable	Flex Cable	Solid Cable	Flex Cable
8/8	6868 - T885	6868 - T881	6868 - T889	6868 - T883

T = Plating Options

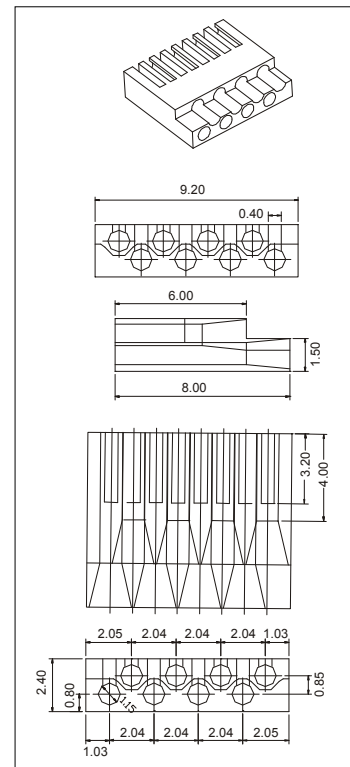
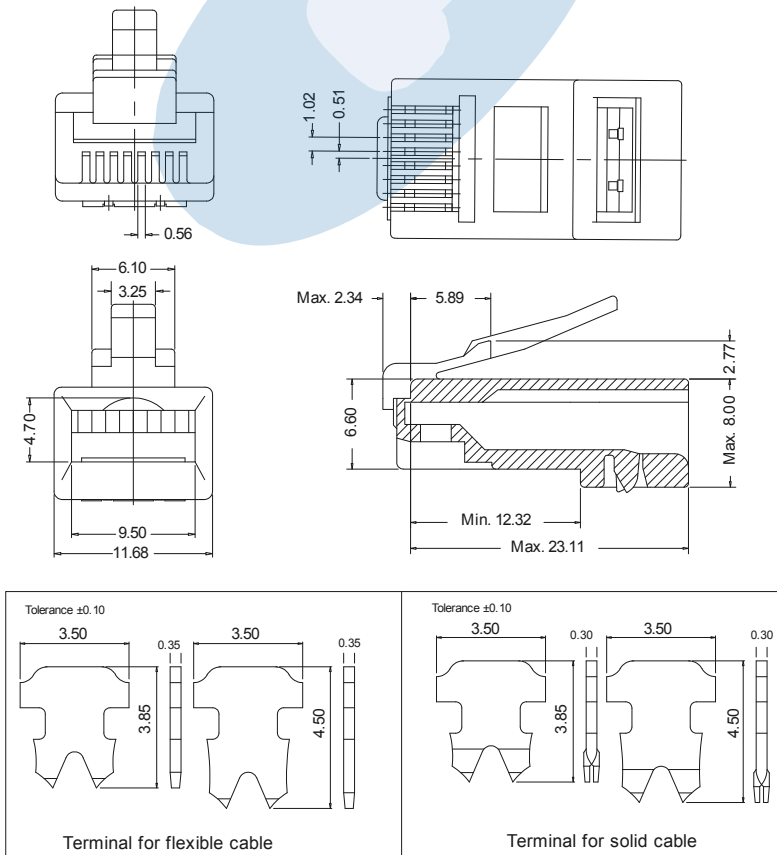
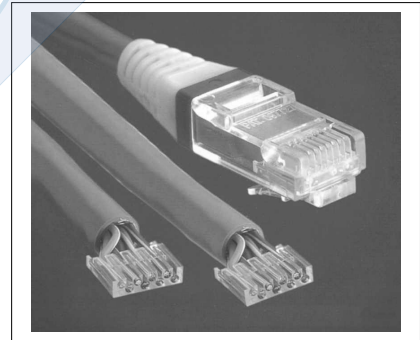
- T = 5. 15µ" gold over nickel
- T = 6. 30µ" gold over nickel
- T = 7. 50µ" gold over nickel

Electrical Features

- Voltage rating: < 125V
- Current rating: < 1.50 A
- Contact resistance: < 20 mΩ
- Dielectric withstanding voltage: 300 V AC/minute
- Insulation resistance: >1000 MΩ

Mechanical Features

- Cable to plug tensile strength: > 6.20 Kgf
- Insertion force to jack: < 2.00 Kgf
- Withdrawal force from jack bar depressed: < 2.00 Kgf
- Durability: 1000 cycles



Insert Bar for wire guide