

RJ45 PLUG COVER 5



6871 SERIES. RJ45 Cover.

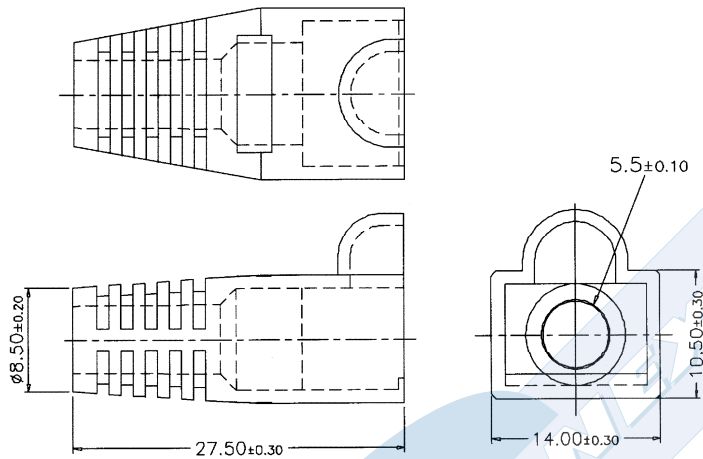
General Features

- Protect RJ45 plugs 8 circuits
- Easy application
- Special bump on clip side keeps clip end from snagging
- Different colours. Standard colour grey

Materials

- Insulator: PVC + ABS
- Operating temperature. -40°C to + 85° C
- RoHS compliant

Dimension Information



Part Number	Colour
6871 - 2001	Grey
6871 - 2002	Ivory

