

CRIMP TERMINAL



7553 SERIES. 7.50/5.00 (0.295/0.197")mm. Pitch.

General Features

- Accommodates wire range AWG 20 through 26
- Use in crimp housing 7.50/5.00 mm pitch 7555 series
- Dual beam contact with tin plated locking lance
- Maximum insulation diameter 2.40 mm (0.095")

Materials

- Contact: Brass tin plated
- Operating temperature -40°C to +85°C

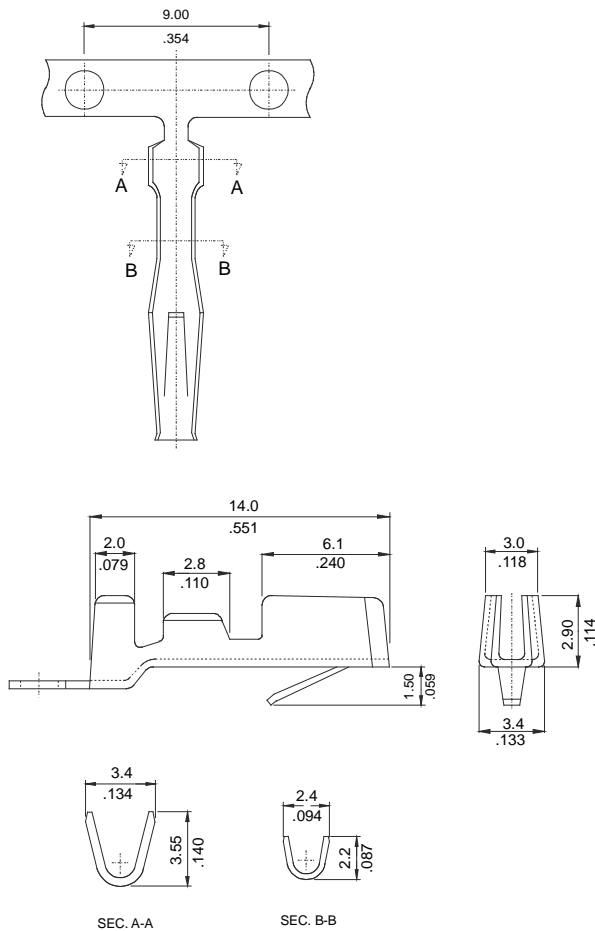
Electrical Features

- Current rating: < 5 A
- Contact resistance: < 20 mΩ

Mechanical Features

- Durability: 25 cycles
- Wire pull-out force:
 - 5.00 Kgf 20 AWG 4.00 Kgf 22 AWG
 - 3.00 Kgf 24 AWG 2.00 Kgf 26 AWG

Dimensional Information



7553 - T - 00 - E

1

2

1. Terminal Serie

2. (T) Contact Plating

- T = 2. Tin plated

2. (E) Packing Options

- E = 0. Chain
- E = 1. Loose Piece