

SINGLE ROW CRIMP CONNECTOR HOUSING



7555 SERIES. 5.00 mm (0.197") pitch.

General Features

- Available in 2 through 6 circuits
- Mates with round pin 1.56 mm. headers 7556 series
- Polarised
- Use crimp terminal 7553
- With moulded pull tab

Materials

- Insulator: Nylon 66 UL 94 V-0
- Operating temperature: -40°C to +85°C
- RoHS compliant

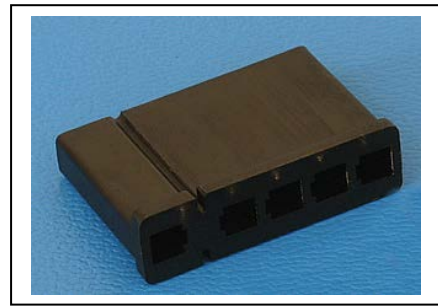
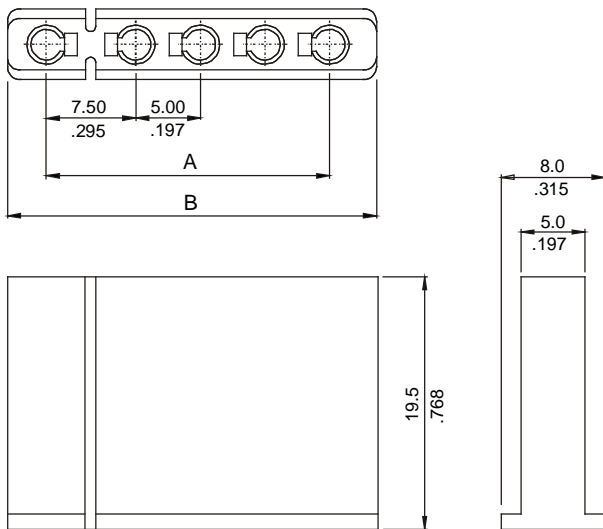
Electrical Features

- Voltage rating: < 250V
- Current rating: < 5 A
- Contact resistance: < 20 mΩ
- Dielectric withstanding voltage: 1500 V AC/minute
- Insulation resistance: >1000 MΩ

Mechanical Features

- Contact retention force to the housing: > 2.00 Kgf
- Contact Insertion force to header: < 1.00 Kgf/pin
- Insertion force to header: < 0.80 Kgf/pin
- Withdrawal force from header: < 0.20 Kgf/pin
- Durability: 25 cycles

Dimension Information



Ordering Information:

7555 - P - XX - 1
1 2 3

1. Connector Series

2. (P) Polarising options

- P = 2. With locking ramp
- P = 3. Without locking ramp

3. (XX) Number of circuits

- Available in 2 through 6 circuits

Dimensions: (In mm.)

A = 5.00 x (XX*-2)+7.50

B = 5.00 x (XX*)+3.50

* XX (Number of circuits)