

TOP ENTRY SHIELDED PCB JACK FCC-68



7638 SERIES. Vertical PCB jack.

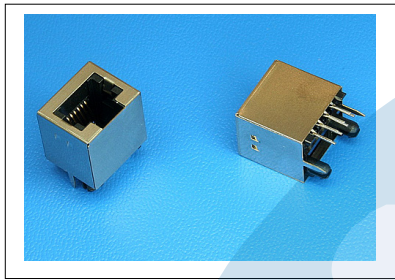
General Features

- Available in 8/4, 8/6 and 8/8 circuits
- Standard telephone jack FCC-68
- 16.75 mm. height
- Accept standard plugs FCC-68 type
- Selective gold plating with different finish
- Bifurcated plastic foot print. Available Cat. 5
- With / Without panel stop
- Optional Press fit Type (Consult Sales Office)

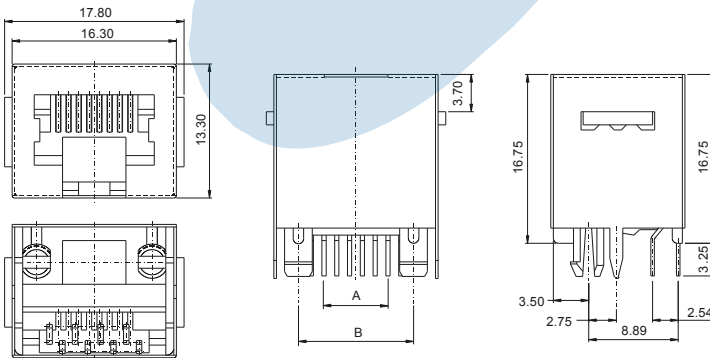
Materials

- Insulator: Thermoplastic UL 94V-0
- Contact: 0.35 mm thickness phosphor bronze
- Operating temperature. -25°C to + 85°C
- RoHS compliant

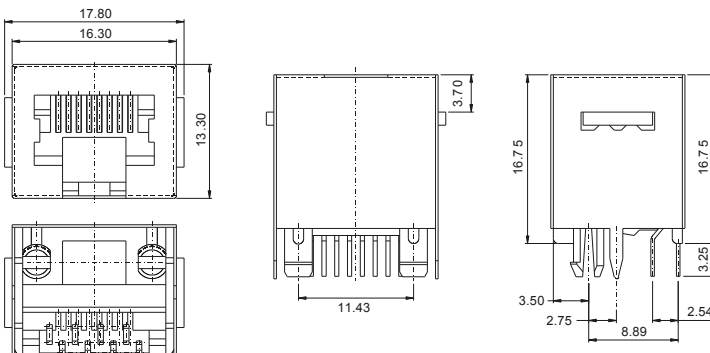
Dimensional Information



Standard Version



Cat. 5



Electrical Features

- Voltage rating: < 125V
- Current rating: < 1.50 A
- Contact resistance: < 20 mΩ
- Dielectric withstanding voltage: 300 V AC/minute
- Insulation resistance: >1000 MΩ

Mechanical Features

- Durability: 1000 cycles

Version	Part Number		Dimensions A
	With Panel Stop	W/O panel Stop	
8/4	7638 – T841	7638 – T842	3.81 (0.150)
8/6	7638 – T861	7638 – T862	6.35 (0.250)
8/8	7638 – T881	7638 – T882	8.89 (0.350)
CAT. 5			
8/8	7638 – T885	7638 – T886	8.89 (0.350)
Optional: Press fit Type 8/8 (add P in the end of part number)			

T = Contact Plating

- T = 4. 10μ" gold over 50μ" nickel
- T = 5. 15μ" gold over 50μ" nickel
- T = 6. 30μ" gold over 50μ" nickel
- T = 7. 50μ" gold over 50μ" nickel