

SIDE ENTRY SMT JACK FCC-68



7643 SERIES. Right angle PCB jack.

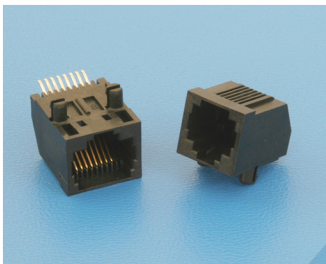
General Features

- Available in 6/2, 6/4, 6/6, 8/8 and 10/10 circuits
- Standard telephone jack FCC-68
- Low profile: 12.57 mm.
- Accept standard plugs FCC-68 type
- Selective gold plating with different finish
- Bifurcated plastic foot print
- With/without panel stop

Materials

- Insulator: Thermoplastic UL 94V-0
- Contact: 0.35 mm thickness phosphor bronze
- Operating temperature. -25°C to + 85°C
- RoHS compliant

Dimensional Information



Circuit Size	Part Number		Dimensions			
	Without Flange	With Flange	A	B	C	D
6/2	7643 – T621	7643 – T622	13.21 (0.520)	10.16 (0.400)	1.27 (0.050)	15.74 (0.620)
6/4	7643 – T641	7643 – T642	13.21 (0.520)	10.16 (0.400)	3.81 (0.150)	15.74 (0.620)
6/6	7643 – T661	7643 – T662	13.21 (0.520)	10.16 (0.400)	6.35 (0.250)	15.74 (0.620)
8/6	7643 – T861	7643 – T862	15.24 (0.600)	11.43 (0.450)	6.35 (0.250)	17.78 (0.700)
8/8	7643 – T881	7643 – T882	15.24 (0.600)	11.43 (0.450)	8.89 (0.350)	17.78 (0.700)
8/8	7643 – T883*	7643 – T884*	15.24 (0.600)	11.43 (0.450)	8.89 (0.350)	17.78 (0.700)

* Jack with key

Electrical Features

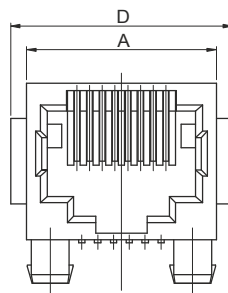
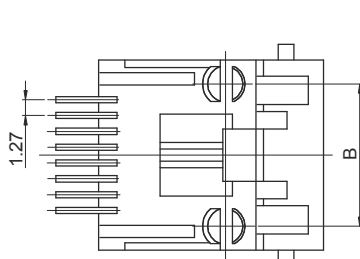
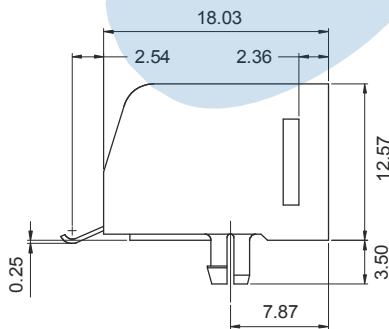
- Voltage rating: < 125V
- Current rating: < 1.50 A
- Contact resistance: < 20 mΩ
- Dielectric withstanding voltage: 300 V AC/minute
- Insulation resistance: >1000 MΩ

Mechanical Features

- Durability: 1000 cycles

T = Contact Plating

- T = 4. 10μ" gold over 50μ" nickel
- T = 5. 15μ" gold over 50μ" nickel
- T = 6. 30μ" gold over 50μ" nickel
- T = 7. 50μ" gold over 50μ" nickel



RECOMMENDED PCB LAYOUT

