

45° ENTRY PCB JACK FCC-68



7645 SERIES. 45° entry PCB jack.

General Features

- Available in 8/8 circuits
- Standard telephone jack FCC-68
- Accept standard plugs FCC-68
- Selective gold plating with different plating
- Bifurcated plastic foot print

Materials

- Insulator: Thermoplastic UL 94V-0
- Contact: 0.35 mm. thickness phosphor bronze
- Operating temperature. -25°C to +85°C
- RoHS compliant

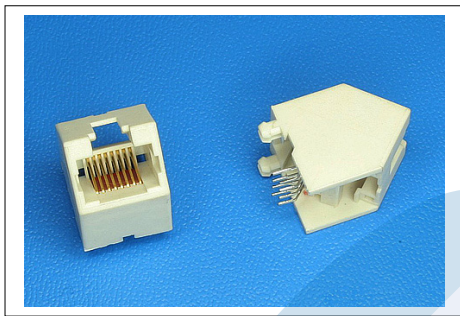
Dimensional Information

Electrical Features

- Voltage rating: < 125V
- Current rating: < 1.50 A
- Contact resistance: < 20 mΩ
- Dielectric withstanding voltage: 300 V AC/minute
- Insulation resistance: >1000 MΩ

Mechanical Features

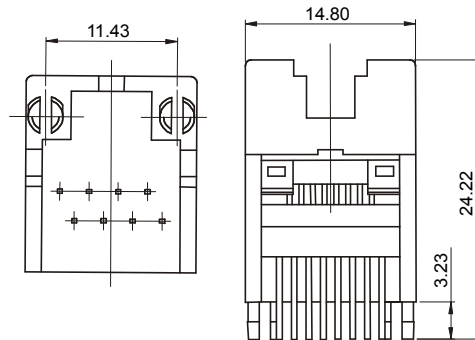
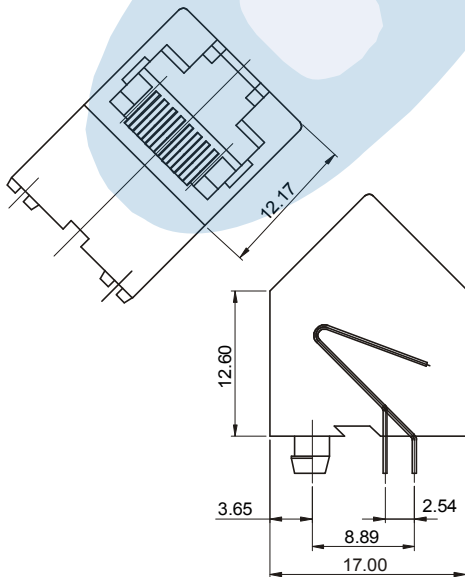
- Durability: 1000 cycles



7645 - T881

T = Plating Options

- T = 4. 10μ" gold over nickel
- T = 5. 15μ" gold over nickel
- T = 6. 30μ" gold over nickel
- T = 7. 50μ" gold over nickel



RECOMMENDED HOLE PATTERN

