

TOP ENTRY SMT PCB JACK FCC-68



7665 SERIES. Vertical PCB jack.

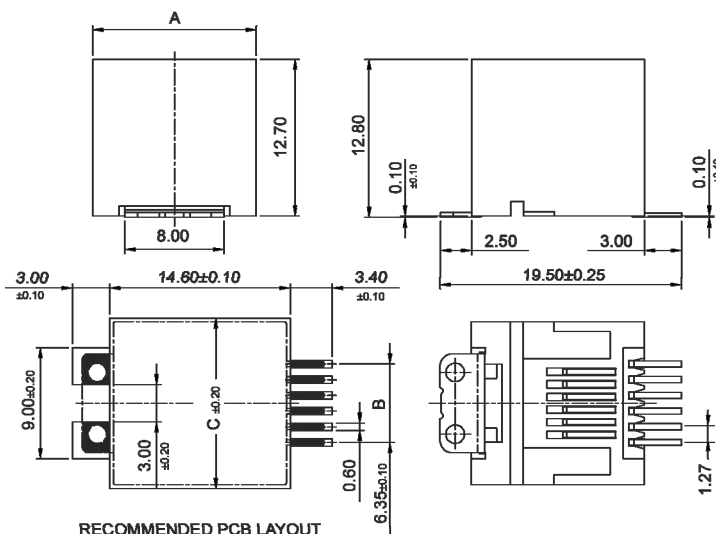
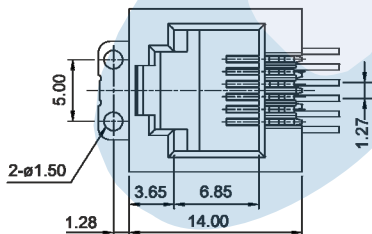
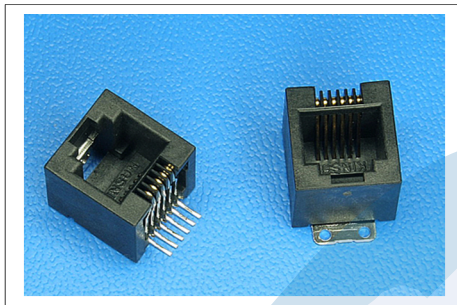
General Features

- Available in 4/4, 6/4, 6/6, 8/8 and 10/10 circuits
- Standard telephone jack FCC-68
- 12.70 mm. height
- Accept standard plugs FCC-68 type
- Selective gold plating with different finish
- Metallic SMT, with solder pad

Materials

- Insulator: Thermoplastic UL 94V-0
- Contact: 0.35 mm thickness phosphor bronze
- Operating temperature. -25°C to + 85°C
- RoHS compliant

Dimensional Information



Electrical Features

- Voltage rating: < 125V
- Current rating: < 1.50 A
- Contact resistance: < 20 mΩ
- Dielectric withstanding voltage: 300 V AC/minute
- Insulation resistance: >1000 MΩ

Mechanical Features

- Durability: 1000 cycles

Circuits	Part Number	Dimensions		
		A	B	C
4/4	7665 - T441	13.21 (0.520)	3.81 (0.150)	13.80 (0.543)
6/4	7665 - T641	13.21 (0.520)	6.35 (0.250)	13.80 (0.543)
6/6	7665 - T661	13.21 (0.520)	6.35 (0.250)	13.80 (0.543)
8/8	7665 - T881	15.50 (0.610)	8.89 (0.350)	16.10 (0.634)
10/10	7665 - T001	15.50 (0.610)	11.43 (0.450)	16.10 (0.634)

T = Contact Plating

- T = 4. 10μ" gold over 50μ" nickel
- T = 5. 15μ" gold over 50μ" nickel
- T = 6. 30μ" gold over 50μ" nickel
- T = 7. 50μ" gold over 50μ" nickel

