

HIGH PROFILE PCB MOUNT D-SUB PLUG



8018 SERIES. For PCB Solder.

Features

- Available in 9, 15, 25 and 37 circuits
- Insulator Material: Glass filled polyester UL94V-0
- Contact Material: Brass
- Different plating options are available
- Shell: Steel, tin plated as standard
- Optional: #4-40 UNC hexagonal standoff or clinch nuts
- Other options: Hoods, mounting screw and accessories
- For other options consult the Sales Office

Dimensional Information

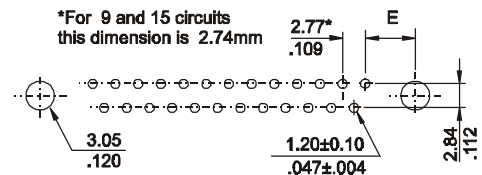
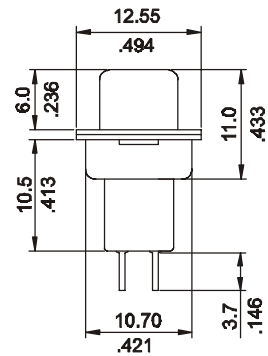
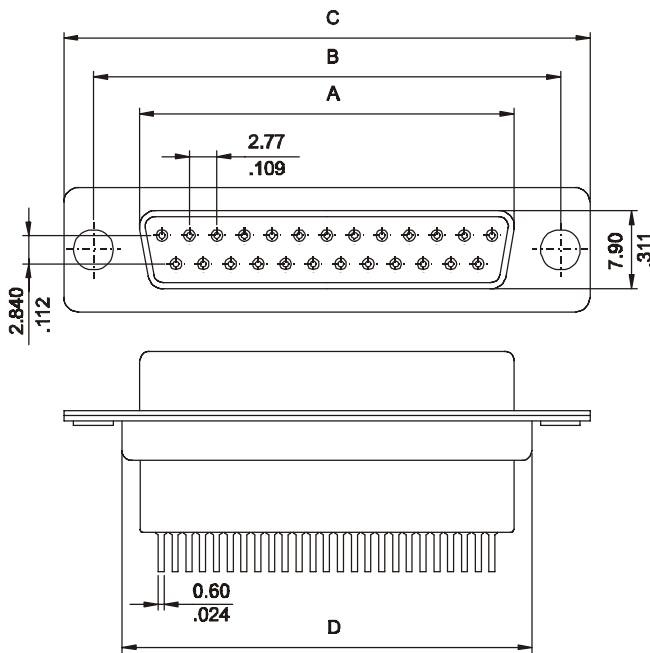
Ordering and Dimensional Information

Unit: $\frac{\text{mm.}}{\text{Inch.}}$

Circuit Size	Part Number	Dimensions			
		A	B	C	D
9	8018 - T091	16.92 (0.666)	24.99 (0.984)	30.81 (1.213)	19.23 (0.757)
15	8018 - T151	25.25 (0.994)	33.32 (1.312)	39.14 (1.541)	27.56 (1.085)
25	8018 - T251	38.96 (1.534)	47.04 (1.852)	53.04 (2.088)	41.28 (1.625)
37	8018 - T371	55.42 (2.182)	63.50 (2.500)	69.32 (2.729)	57.73 (2.273)

T = Contact Plating

- T = 3. Gold flash over 50 μ " nickel
- T = 4. 10 μ " gold over 50 μ " nickel
- T = 5. 15 μ " gold over 50 μ " nickel
- T = 6. 30 μ " gold over 50 μ " nickel



RECOMMENDED HOLE PATTERN