

# H/ PROFILE PCB MOUNT D-SUB RECEPTACLE



## 8019 SERIE. For PCB Solder

### Features

- Available in 9, 15, 25 and 37 circuits
- Insulator Material: Glass filled polyester UL 94V-0
- Contact Material: Phosphor Bronze
- Different plating options are available
- Shell: Steel, tin plated as standard
- Optional: #4-40 UNC hexagonal standoff or clinch nuts
- Other options: Hoods, mounting screw and accessories
- For other options consult the Sales Office

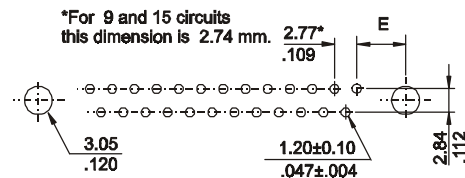
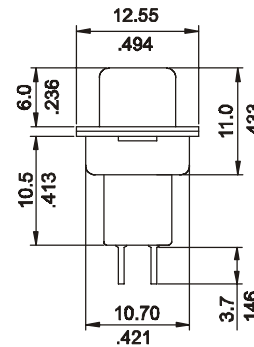
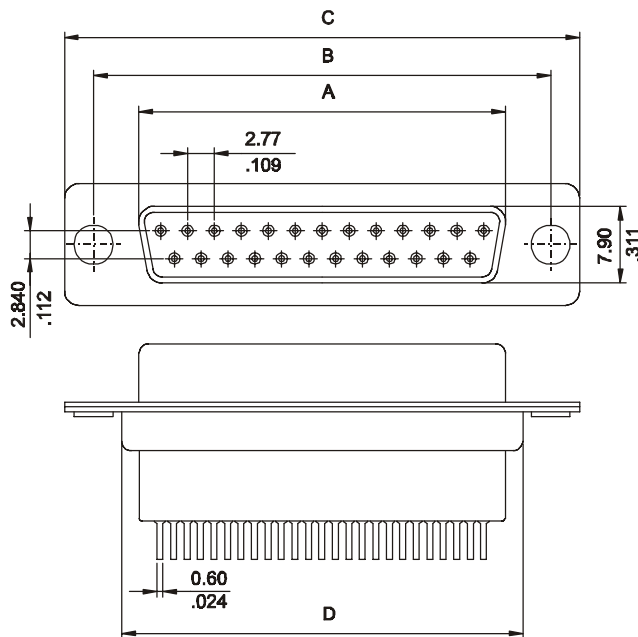
### Dimensional Information

### Ordering and Dimensional Information

Unit: $\frac{\text{mm.}}{\text{Inch.}}$	Circuit Size	Part Number	Dimensions			
			A	B	C	D
	9	8011 - T091	16.33(0.643)	24.99 (0.984)	30.81 (1.213)	19.23 (0.757)
	15	8011 - T151	24.66 (0.971)	33.32 (1.312)	39.14 (1.541)	27.56 (1.085)
	25	8011 - T251	38.38 (1.511)	47.04 (1.852)	53.04 (2.088)	41.28 (1.625)
	37	8011 - T371	54.84 (2.159)	63.50 (2.500)	69.32 (2.729)	57.73 (2.273)

### T = Contact Plating

- T = 3. Gold flash over 50 $\mu$ " nickel
- T = 4. 10 $\mu$ " gold over 50 $\mu$ " nickel
- T = 5. 15 $\mu$ " gold over 50 $\mu$ " nickel
- T = 6. 30 $\mu$ " gold over 50 $\mu$ " nickel



### RECOMMENDED HOLE PATTERN