

INSUL. DISPLACEMENT D-SUB RECEPTACLE



8021 SERIES. Insulation Displacement Contact D-Sub Receptacle

Features

- Available in 9, 15, 25 and 37 circuits
- Insulator Material: Glass filled polyester UL 94V-0
- Contact Material: Phosphor Bronze
- Optional flush insert
- Applicable wire: AWG 26 to 28
- Shell available in plastic or nickel plated metal
- For other options consult the Sales Office

Dimensional Information

Ordering and Dimensional Information

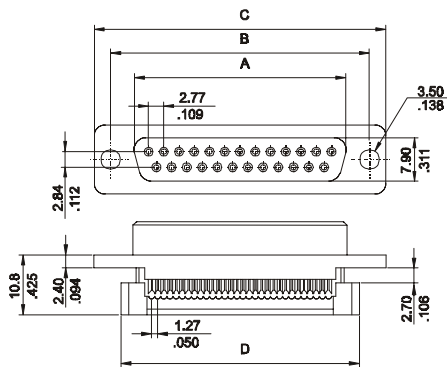
Circuit Size	Part Number			Dimensions				
	Plastic Type	Metal Shell + Nut	Metal Shell	A	B	C	D	E
09	8021- T091	8021- T092	8021- T093	16.33 (0.643)	24.99 (0.984)	30.90 (1.217)	21.80 (0.858)	12.08 (0.476)
15	8021- T151	8021- T152	8021- T153	24.66 (0.971)	33.32 (1.312)	39.20 (1.543)	29.60 (1.165)	19.70 (0.776)
25	8021- T251	8021- T252	8021- T253	38.38 (1.511)	47.04 (1.852)	53.10 (2.091)	43.30 (1.705)	32.40 (1.276)
37	8021- T371	8021- T372	8021- T373	54.84 (2.159)	63.50 (2.500)	69.50 (2.736)	59.90 (2.358)	47.72 (1.879)

(Note: For other Circuit Size consult the Sales Office)

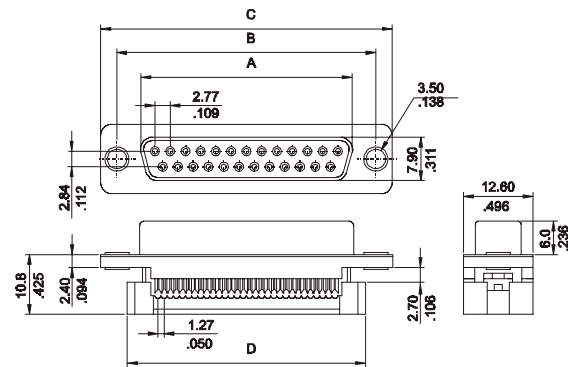
T = Contact Plating

- T = 2. Tin plated.
- T = 3. Gold flash over 50μ" nickel.
Recommended Finish
- T = 5. 15μ" gold over 50μ" nickel
- T = 6. 30μ" gold over 50μ" nickel

Pastic Type



Metal Shell



Strain Relief

