

PLASTIC HOOD



8030 SERIES. Long Screw Optional

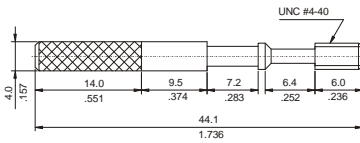
Features

- Available in 9 (15), 15 (26), 19 (-), 23 (-), 25 (44), 37 (62) and 50 (87) circuits for D-SUB- (D- SUB high density)
- Material: ABS 6/6 UL 94V-0, metalised plastic, metallic or aluminium
- Optional: Nylon 6/6 UL 94V-0
- Accepts 8000, 8001, 8002, 8003, 8070, 8071, 8072 and 8073 series
- Standard version mounting male screw and one kit cable clamp. Optional long screw 8037 series
- For other options consult the Sales Office

Dimensional Information

Ordering

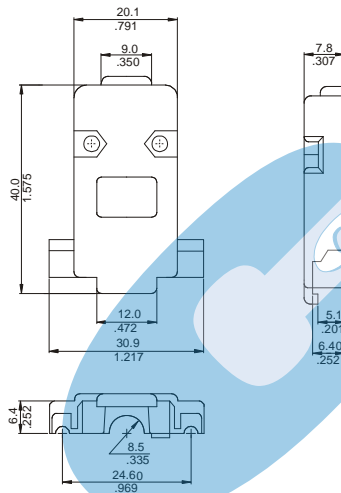
Long Screw:
8037 - 0000



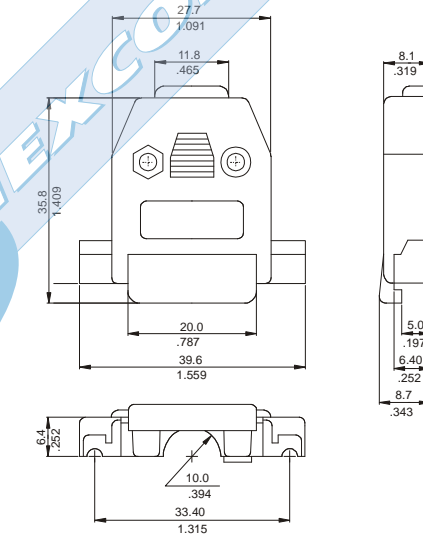
Circuits inD-SUB	Circuits inD- SUB high density	Plastic Hood		Metalised Plastic Hood	Aluminium Hood
		Con tornillo corto	Con tornillo largo		
9	15	8030 - 2091	8030 - 3091	8030 - 2092	8030 - 2093
15	26	8030 - 2151	8030 - 3151	8030 - 2152	8030 - 2153
19	-	8030 - 2191	8030 - 3191	8030 - 2192	-
23	-	8030 - 2231	8030 - 3231	8030 - 2232	-
25	44	8030 - 2251	8030 - 3251	8030 - 2252	8030 - 2253
37	62	8030 - 2371	8030 - 3371	8030 - 2372	-
50	78	8030 - 2501	8030 - 3501	8030 - 2502	-

Optional: Black colour for Plastic Hood (add an N of the end to Part Number)

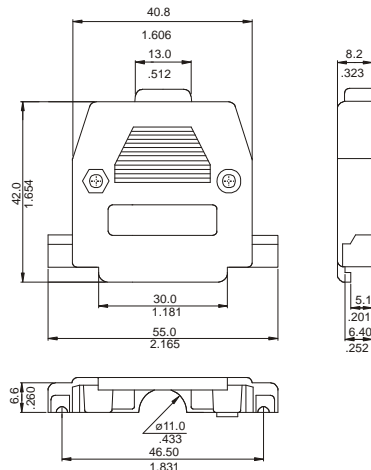
8030 - 2091 / 2



8030 - 2151 / 2



8030 - 2251 / 2



8030 - 2371 / 2

