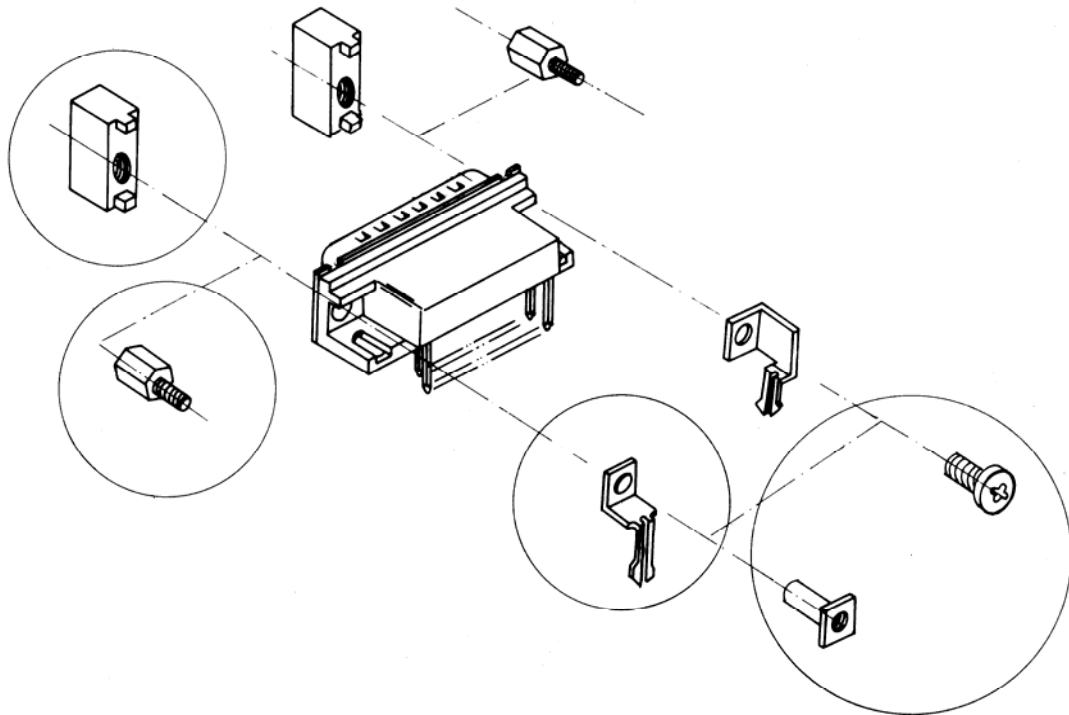


HARD WARE D-SUBMINIATURE CONNECTOR

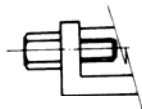


8035 SERIES. For D-Sub and High Density D-Sub

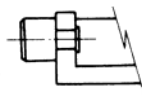


GROUND FIXTURE VARIATIONS

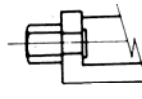
● **VERSION C**



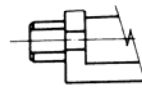
● **VERSION R**



● **VERSION K**



● **VERSION A**



● **L3**



● **L2**



● **L4**



● **L1**



HARD WARE D-SUBMINIATURE CONNECTOR

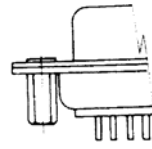
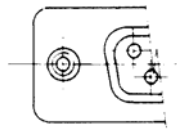


8035 SERIES. For D-Sub and High Density D-Sub

Mounting screw and Accessories

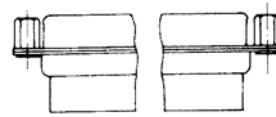
● **T2 VERSION**

Riveted 4-40 UNC Clinch Nut

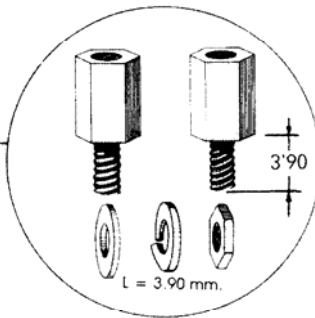
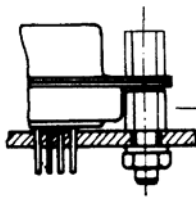


● **D2 VERSION**

Riveted 4-40 UNC Stand off

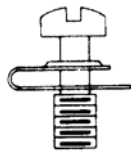
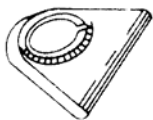


● **T1 VERSION**

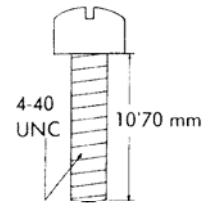


Part Number: 8035-0002

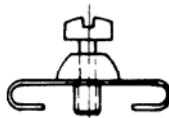
SCREWS AND Accessories



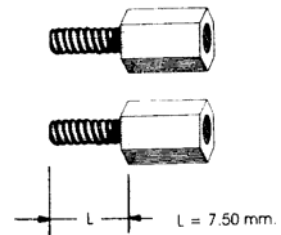
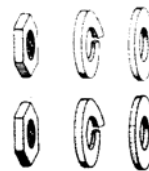
Part Number: 8035-0015



Part Number: 8038-0001



Part Number: 8035-0003



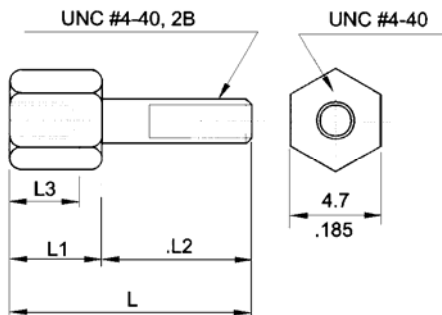
Part Number: 8035-0001

HARD WARE D-SUBMINIATURE CONNECTOR



8035 SERIES. Accessories for D -Sub and High Density D -Sub

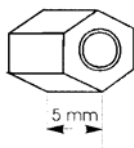
Part Number	DIMENSIONES			
	L	L1	L2	L3
8035-0000	17.80	4.80	13.00	3.00
8035-0000	13.20	5.08	8.13	3.00
8035-0000	12.60	4.00	8.60	2.20
8035-0000	8.80	4.80	4.00	3.00



Nuts and Washer

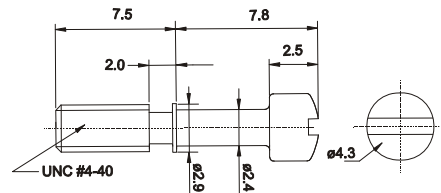


Female Coupling Nut 4-40 UNC



8035 - 0011

Short screw (For 8030 Series)



8035 - 0012