

# STRAIGHT DIP SOLDER RECEPTACLE



## 8052 SERIES. For PCB Solder. Centronic Connector

### Features

- Available in 14, 24, 36 and 50 circuits
- Insulator Material: Glass filled polyester UL 94V-0
- Contact Material: Phosphor bronze
- Shell: Steel, tin plated as standard
- Different plating options are available.
- For other options consult the Sales Office

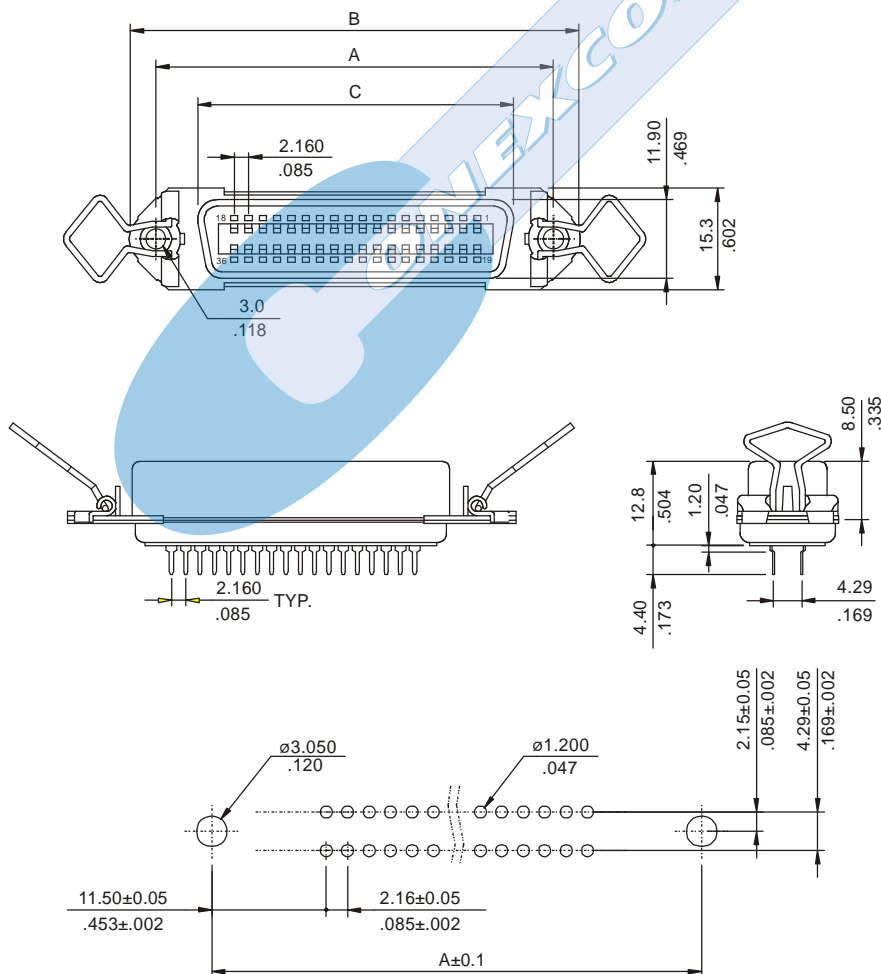
### Dimensional Information

### Ordering and Dimensional Information

Circuit Size	Part Number	Dimensions			
		A	B	C	D
14	8052 - T141	35.99 (1.417)	44.10 (1.736)	25.20 (0.992)	-
24	8052 - T241	46.79 (1.842)	54.90 (2.161)	35.90 (1.413)	-
36	8052 - T361	59.74 (2.352)	67.80 (2.669)	48.70 (1.917)	-
50	8052 - T501	74.85 (2.947)	83.10 (3.272)	64.10 (2.524)	-

### T = Contact Plating

- T = 3. Gold flash over 50μ" nickel.
- T = 4. 10μ" gold over 50μ" nickel
- T = 5. 15μ" gold over 50μ" nickel
- T = 6. 30μ" gold over 50μ" nickel



RECOMMENDED HOLE PATTERN