

TOP ENTRY PCB MOUNT D-SUB RECEPTACLE



8121 SERIES. For PCB Solder

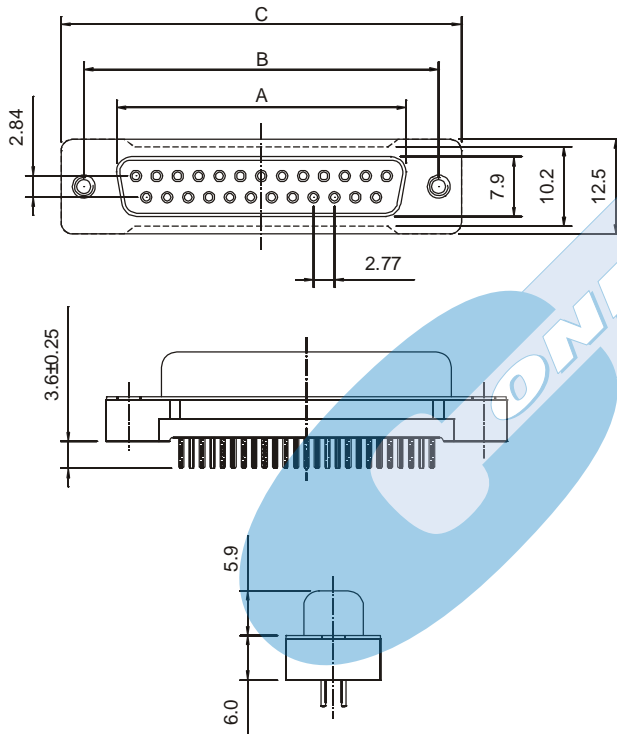
Features

- Available in 9, 15, 25 and 37 circuits
- Insulator Material: Glass filled Polyester UL 94V-0
- Contact Material: Phosphor Bronze
- Different plating options are available
- Shell: Steel, tin plated as standard
- Optional: #4-40 UNC hexagonal standoff or clinch nuts
- Other options: Hoods, mounting screw and accessories
- For other options consult the Sales Office

Dimensional Information

Ordering and Dimensional Information

CIRCUITOS	CÓDIGO	DIMENSIONES		
		A	B	C
9	8121 - T09C	16.92 (0.666)	24.99 (0.984)	30.81 (1.213)
15	8121 - T15C	25.25 (0.994)	33.32 (1.312)	39.14 (1.541)
25	8121 - T25C	38.96 (1.534)	47.04 (1.852)	53.04 (2.088)
37	8121 - T37C	55.42 (2.182)	63.50 (2.500)	69.32 (2.729)

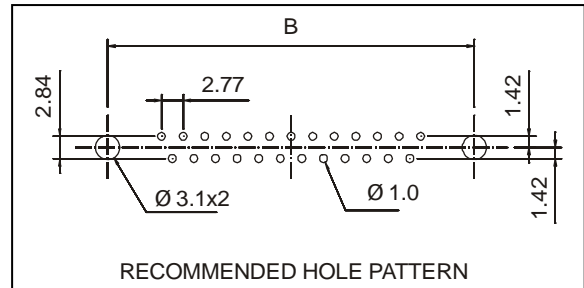


T = Contact Plating

- T = 3. Gold flash over 50μ" nickel.
- T = 5. 15μ" gold over 50μ" nickel
- T = 6. 30μ" gold over 50μ" nickel

C = Hardware Options

- C = 1. Standard with 3.05mm(.012") dia. mount hole.
- C = 5. Standard With 4.40 UNC jackscrew Installed + Board Lock (D2 Type)



C=5 Version

