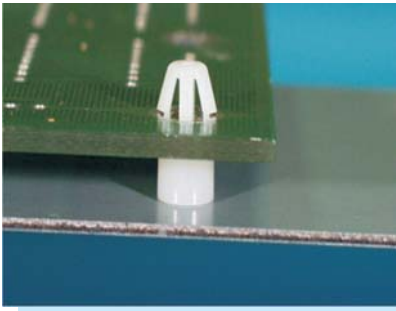


SPACER SUPPORT

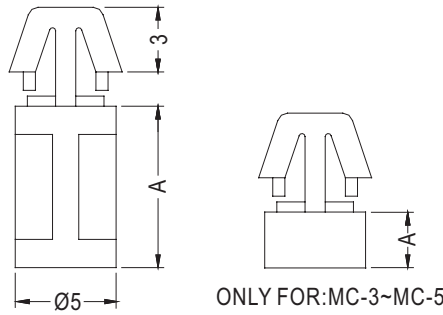
PLASTECH

1

- MATERIAL: NYLON 66 (UL)
- FLAME CLASS :94V-2
- COLOR: NATURAL
- UNIT: mm



P.C.B Ø4.0
THICKNESS 1.2~1.7

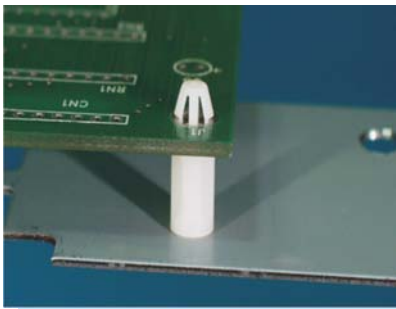


PART NO	A	PACKAGE
MC-3	3.0	2000
MC-4	4.0	
MC-5	5.0	
MC-6	6.3	
MC-7	7.0	
MC-8	8.0	
MC-10	10.0	1000
MC-12	12.7	

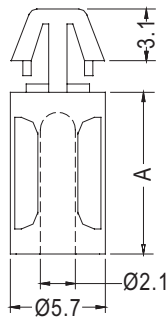
SPACER SUPPORT

PLASTECH

- MATERIAL: NYLON 66 (UL)
- FLAME CLASS :94V-2
- COLOR: NATURAL
- UNIT: mm



P.C.B Ø4.0
THICKNESS 1.2~1.7

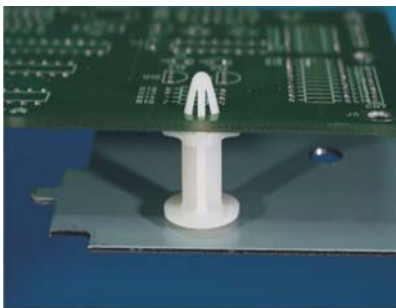


PART NO	A	PACKAGE
MCH-6	6.35	1000
MCH-10	9.7	
MCH-12	12.7	

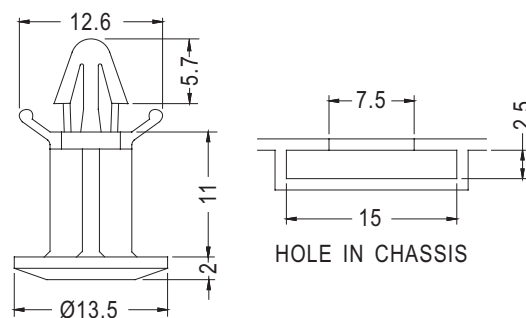
SPACER SUPPORT

PLASTECH

- MATERIAL: NYLON 66 (UL)
- FLAME CLASS :94V-2
- COLOR: NATURAL
- UNIT: mm



P.C.B Ø4.5
THICKNESS 1.2~1.7



PART NO	PACKAGE
MTD-11	500