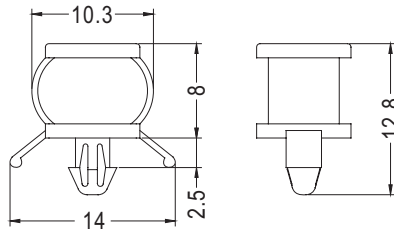
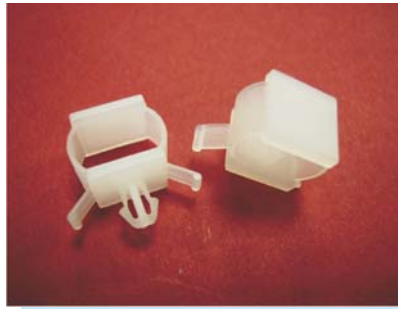


# SPACER SUPPORT

PLASTECH

1

- MATERIAL: NYLON 66 (UL)
- FLAME CLASS: 94V-2
- COLOR: NATURAL
- UNIT: mm



P.C.B Ø3.0  
THICKNESS 1.1~1.6

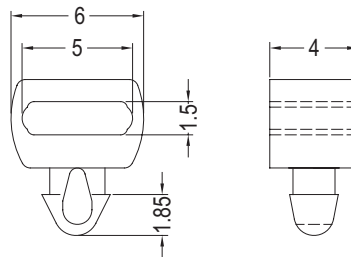
NEW

PART NO	PACKAGE
LIQ-8	2000

# SPACER SUPPORT

PLASTECH

- MATERIAL: NYLON 66 (UL)
- FLAME CLASS : 94V-2/94V-0
- COLOR: NATURAL
- UNIT: mm



P.C.B Ø2.5  
THICKNESS 1.0

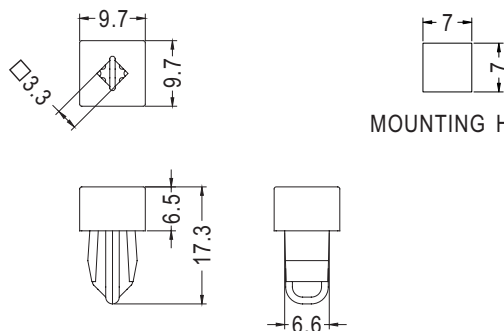
NEW

PART NO	PACKAGE
LIJ-4	2000

# SPACER SUPPORT

PLASTECH

- MATERIAL: NYLON 66 (UL)
- FLAME CLASS : 94V-2
- COLOR: NATURAL
- UNIT: mm



MOUNTING HOLE

NEW

PART NO	PACKAGE
ES-2	1000