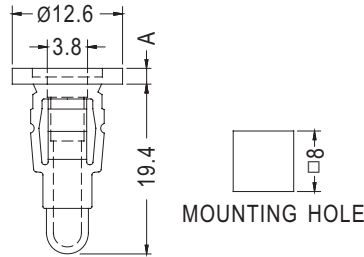


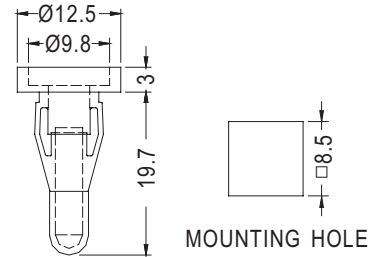
# SPACER SUPPORT

PLASTECH

- MATERIAL: NYLON 66 (UL)
- FLAME CLASS :94V-2
- COLOR: NATURAL
- UNIT: mm



PART NO	A	PACKAGE
YES-08	0.8	500
YES-32	3.2	
YES-48	4.8	

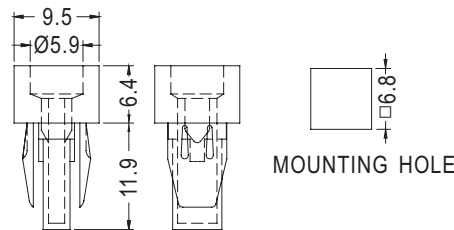
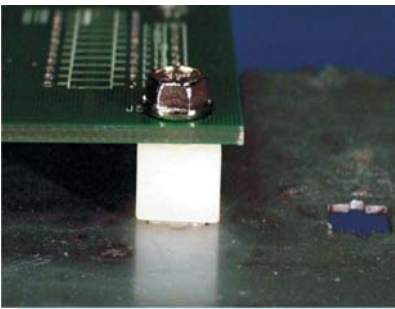


PART NO	PACKAGE
YES-3	500

# SPACER SUPPORT

PLASTECH

- MATERIAL: NYLON 66 (UL)
- FLAME CLASS :94V-2
- COLOR: NATURAL
- UNIT: mm

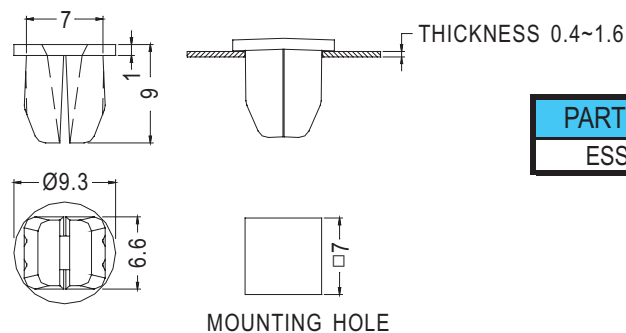


PART NO	PACKAGE
ES-1	1000

# PLASTIC CONICAL ANCHORS

PLASTECH

- MATERIAL: NYLON 66 (UL)
- FLAME CLASS :94V-2
- COLOR: NATURAL
- UNIT: mm



PART NO	PACKAGE
ESS-1	1000