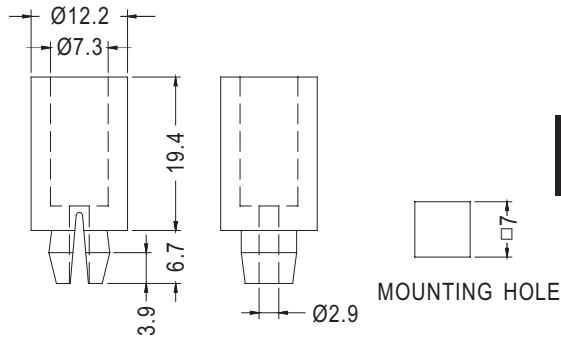


# PLASTIC CONICAL ANCHORS

PLASTECH

1

- MATERIAL: NYLON 66 (UL)
- FLAME CLASS :94V-2
- COLOR: NATURAL
- UNIT: mm

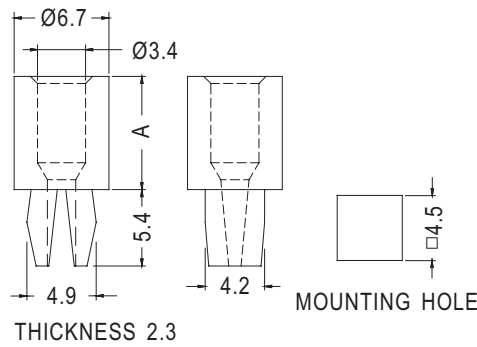


PART NO	PACKAGE
ESS-19	1000

# PLASTIC CONICAL ANCHORS

PLASTECH

- MATERIAL: NYLON 66 (UL)
- FLAME CLASS :94V-2
- COLOR: NATURAL
- UNIT: mm

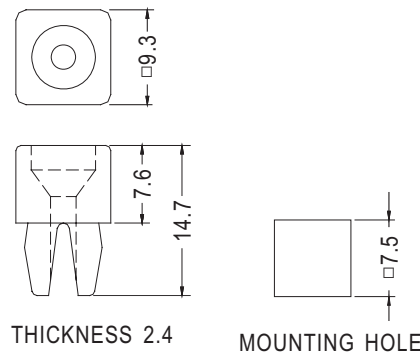
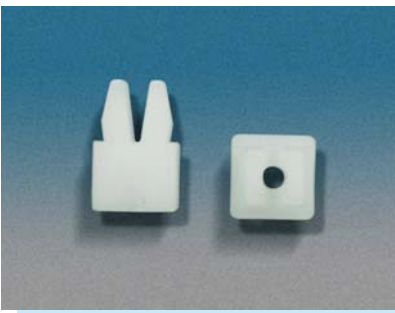


PART NO	A	PACKAGE
★ETS-3	3.0	2000
ETS-3.2	3.2	
ETS-4.8	4.8	
ETS-6.3	6.3	1000
ETS-8	8.0	
ETS-10	10.0	
ETS-12	12.7	
ETS-16	15.9	
ETS-19	19.1	

# SPACER SUPPORT

PLASTECH

- MATERIAL: NYLON 66 (UL)
- FLAME CLASS :94V-2
- COLOR: NATURAL
- UNIT: mm



PART NO	PACKAGE
ESS-7.6	1000