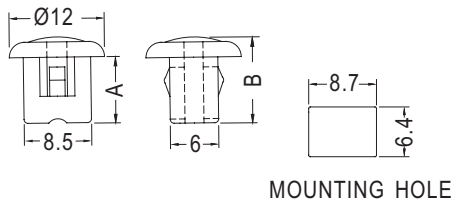
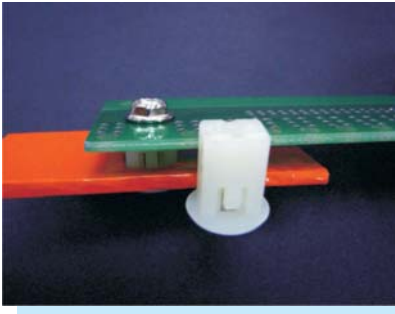


SPACER SUPPORT

PLASTECH

- MATERIAL: NYLON 66 (UL)
- FLAME CLASS :94V-2
- COLOR: NATURAL/WHITE
- UNIT: mm

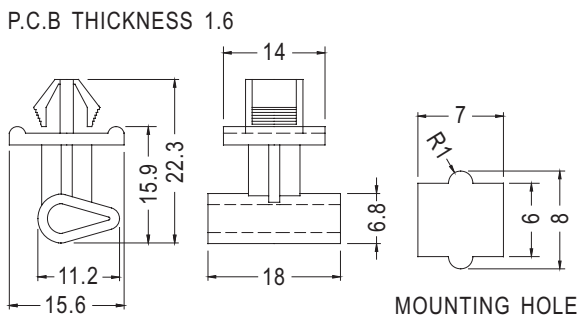
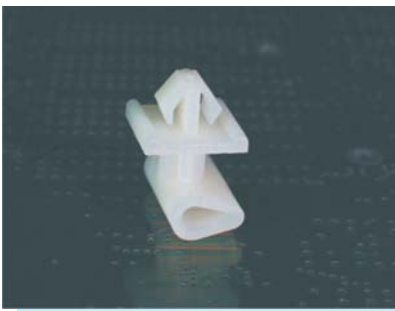


PART NO	A	B	PACKAGE
LHC-8	8.4	10.8	1000
LHC-12	12.5	14.9	

SPACER SUPPORT

PLASTECH

- MATERIAL: NYLON 66 (UL)
- FLAME CLASS :94V-2
- COLOR: NATURAL
- UNIT: mm

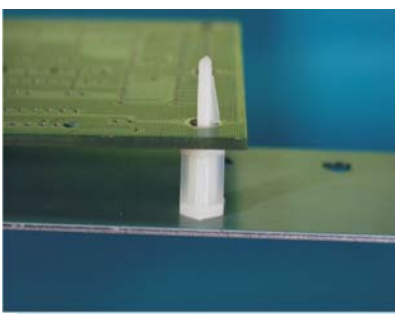


PART NO	PACKAGE
PS-16	500

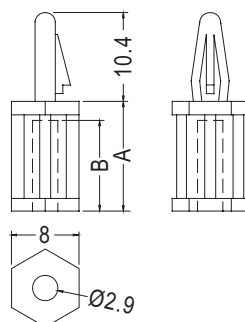
SPACER SUPPORT

PLASTECH

- MATERIAL: NYLON 66 (UL)
- FLAME CLASS :94V-2
- COLOR: NATURAL
- UNIT: mm



P.C.B Ø4.0
THICKNESS 1.2~1.7



PART NO	A	B	PACKAGE
BS-6	6.4	4.8	1000
BS-9	9.6	8.0	
BS-12	12.7	11.0	
BS-14	14.0	12.7	
★ BS-15S	15.0	13.0	
BS-15	16.0	13.0	
BS-19	19.2	16.2	
BS-22	22.4	19.4	
BS-25	25.6	24.0	
BS-28	29.0	25.9	