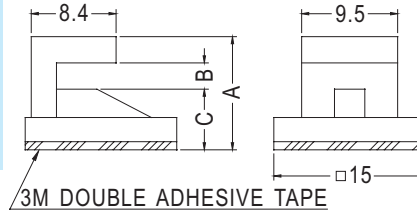
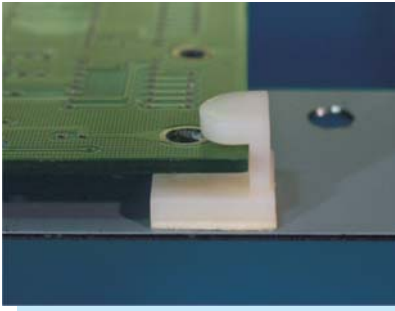


SPACER SUPPORT

PLASTECH

- MATERIAL: NYLON 66 (UL)
- FLAME CLASS :94V-2
- COLOR: NATURAL/BLACK
- UNIT: mm

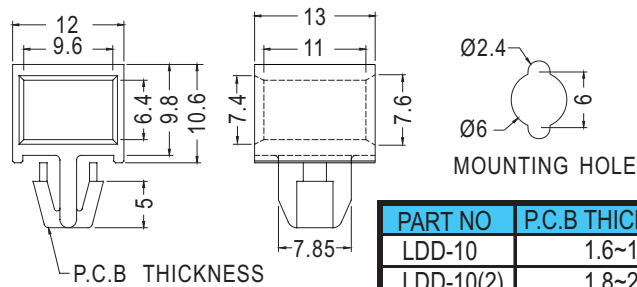
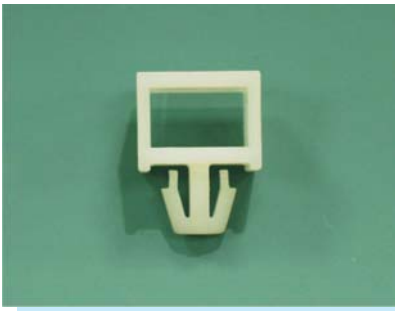


PART NO	A	B	C	PACKAGE
UB-6A	11.2	2.6	5.9	1000
UB-8A	12.7	2.4	7.8	
UB-10A	14.9	2.5	9.9	
UB-11A	15.8	2.5	10.8	
UB-12A	16.9	2.5	11.9	

SPACER SUPPORT

PLASTECH

- MATERIAL: NYLON 66 (UL)
- FLAME CLASS :94V-2
- COLOR: NATURAL
- UNIT: mm

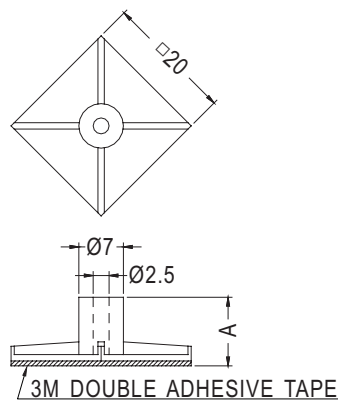
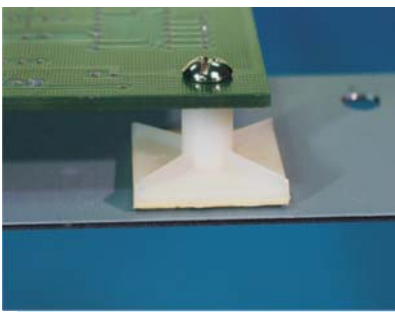


PART NO	P.C.B THICKNESS	PACKAGE
LDD-10	1.6~1.8	500
LDD-10(2)	1.8~2.0	

SPACER SUPPORT

PLASTECH

- MATERIAL: NYLON 66 (UL)
- FLAME CLASS :94V-2
- COLOR: NATURAL
- UNIT: mm



PART NO	A	PACKAGE
ASR-5	5.0	500
ASR-6	6.4	
ASR-7	7.0	
ASR-9	9.0	
ASR-11	10.8	
ASR-12.7	12.7	
ASR-15.9	15.9	
ASR-19.1	19.1	