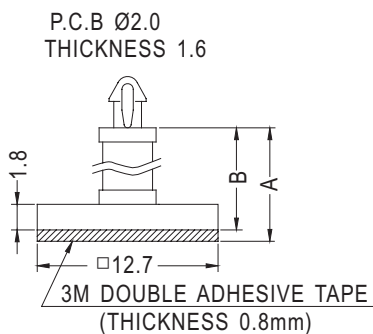
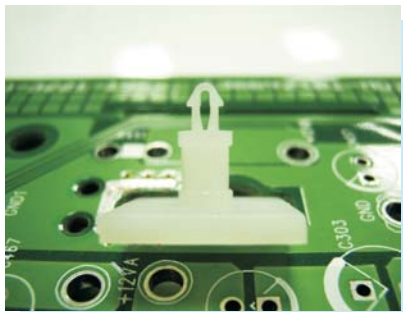


SPACER SUPPORT

PLASTECH

1

- MATERIAL: NYLON 66 (UL)
- FLAME CLASS :94V-2
- COLOR:NATURAL
- UNIT:mm

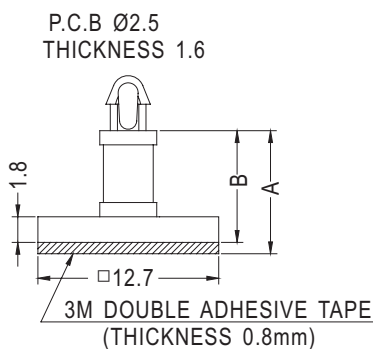


PART NO	A	B	PACKAGE
ISS-4.8	4.8	4.0	1000
ISS-6.4	6.4	5.6	
★ ISS-8	8.0	7.2	
ISS-9.5	9.5	8.7	
ISS-11.1	11.1	10.3	
ISS-12.7	12.7	11.9	
ISS-15.9	15.9	15.1	
ISS-19.1	19.1	18.3	

SPACER SUPPORT

PLASTECH

- MATERIAL: NYLON 66 (UL)
- FLAME CLASS :94V-2
- COLOR:NATURAL
- UNIT:mm

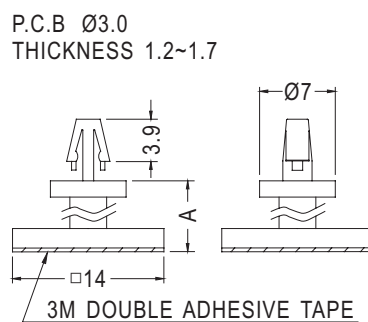
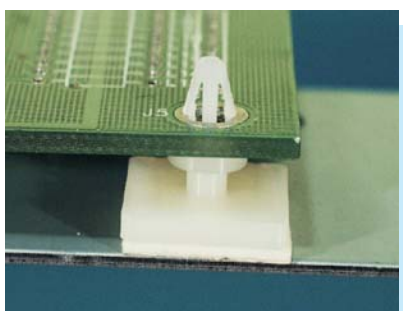


PART NO	A	B	PACKAGE
GSS-4.8	4.8	4.0	1000
GSS-6.4	6.4	5.6	
★ GSS-8	8.0	7.2	
GSS-9.5	9.5	8.7	
GSS-11.1	11.1	10.3	
GSS-12.7	12.7	11.9	
GSS-15.9	15.9	15.1	
GSS-19.1	19.1	18.3	

SPACER SUPPORT

PLASTECH

- MATERIAL: NYLON 66 (UL)
- FLAME CLASS :94V-2
- COLOR:NATURAL
- UNIT:mm



PART NO	A	PACKAGE
BSS-6	6.4	1000
BSS-9	8.8	
BSS-12	12.7	