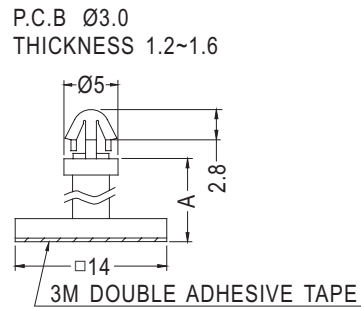
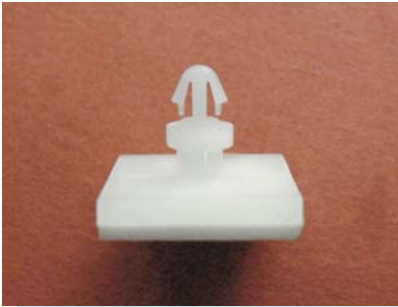


SPACER SUPPORT

PLASTECH

- MATERIAL: NYLON 66 (UL)
- FLAME CLASS :94V-2
- COLOR:NATURAL
- UNIT:mm

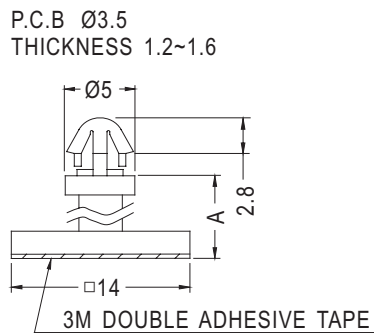


PART NO	A	PACKAGE
CSS-3.5	3.5	1000
CSS-5	4.8	
CSS-6.4	6.4	
CSS-8	8.0	
CSS-10	10.0	
★CSS-12.7	12.7	

SPACER SUPPORT

PLASTECH

- MATERIAL: NYLON 66 (UL)
- FLAME CLASS :94V-2
- COLOR:NATURAL
- UNIT:mm

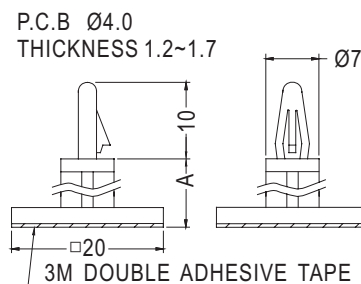
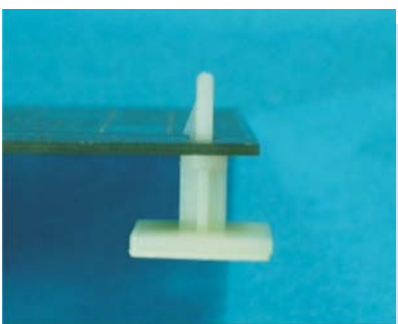


PART NO	A	PACKAGE
FSS-3.5	3.5	1000
FSS-5	4.8	
FSS-6.4	6.4	
FSS-8	8.0	
FSS-10	10.0	
★FSS-12.7	12.7	

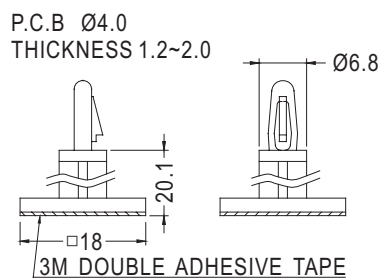
SPACER SUPPORT

PLASTECH

- MATERIAL: NYLON 66 (UL)
- FLAME CLASS :94V-2
- COLOR:NATURAL
- UNIT:mm



PART NO	A	PACKAGE
ASS-5	5.4	500
ASS-6	6.3	
ASS-8	8.0	
ASS-10	9.8	
ASS-12	12.8	
ASS-15	16.2	



PART NO	PACKAGE
ASS-18.5	500