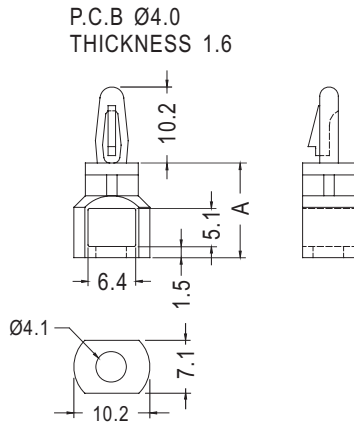


# SPACER SUPPORT

PLASTECH

- MATERIAL: NYLON 66 (UL)
- FLAME CLASS :94V-2
- COLOR: NATURAL
- UNIT: mm

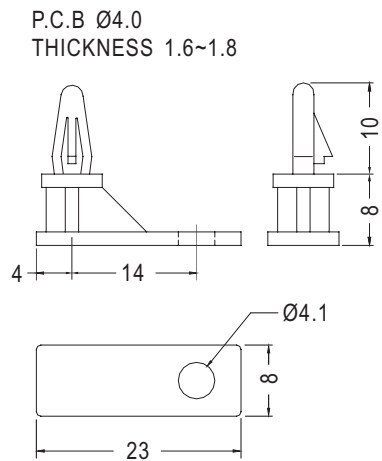
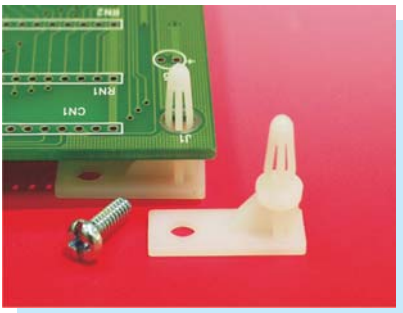


PART NO	A	PACKAGE
SRLCB-9	9.5	1000
SRLCB-11	11.1	
SRLCB-12	12.7	
SRLCB-15	15.9	
★SRLCB-25	25.4	

# SPACER SUPPORT

PLASTECH

- MATERIAL: NYLON 66 (UL)
- FLAME CLASS :94V-2
- COLOR: NATURAL
- UNIT: mm

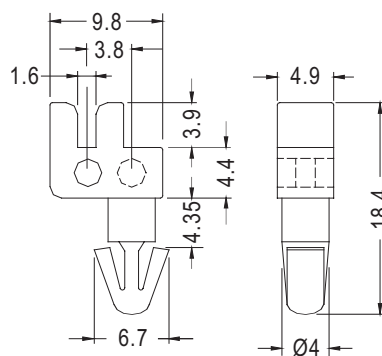


PART NO	PACKAGE
LCBL-8	1000

# SPACER SUPPORT

PLASTECH

- MATERIAL: NYLON 66 (UL)
- FLAME CLASS :94V-2
- COLOR: NATURAL
- UNIT: mm



CHASSIS Ø4.3  
THICKNESS 4.0

PART NO	PACKAGE
LCU-18	2000