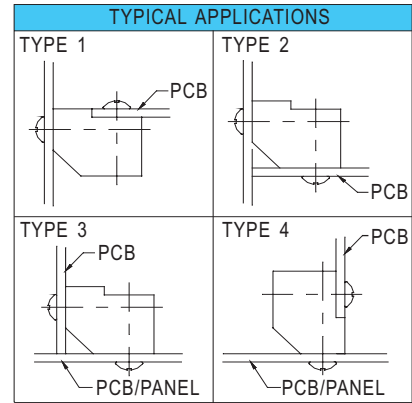
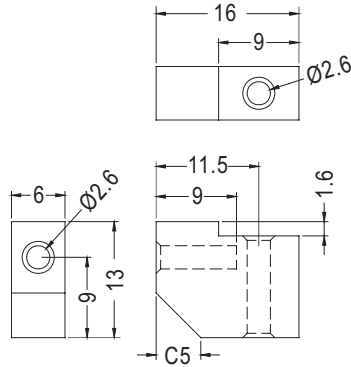


# SPACER SUPPORT

**PLASTECH**

1

- MATERIAL: NYLON 66 (UL)
- FLAME CLASS :94V-2
- COLOR:NATURAL
- UNIT:mm

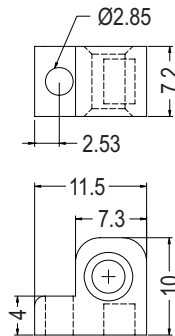
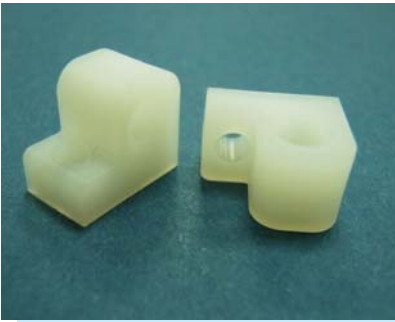


PART NO	PACKAGE
PMB-1	500

# SPACER SUPPORT

**PLASTECH**

- MATERIAL: NYLON 66 (UL)
- FLAME CLASS :94V-2
- COLOR:NATURAL
- UNIT:mm

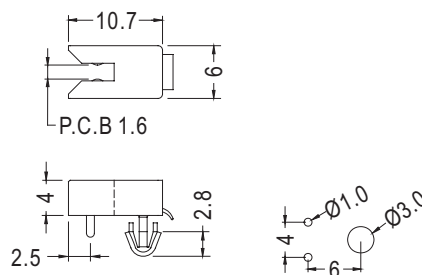
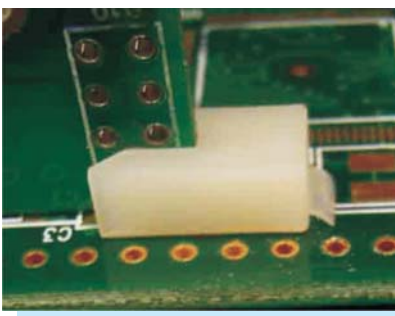


PART NO	PACKAGE
PMB-2	500

# SPACER SUPPORT

**PLASTECH**

- MATERIAL: NYLON 66 (UL)
- FLAME CLASS :94V-2
- COLOR:NATURAL
- UNIT:mm



THICKNESS 1.6~1.8

PART NO	PACKAGE
ULCG-1	1000