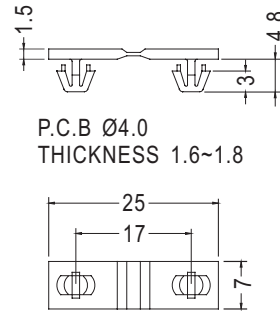
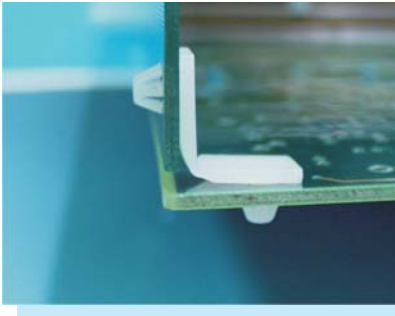


# P.C.B. HINGE

PLASTECH

- ♦ MATERIAL: NYLON 66 (UL)
- ♦ FLAME CLASS :94V-2
- ♦ COLOR: NATURAL
- ♦ UNIT: mm



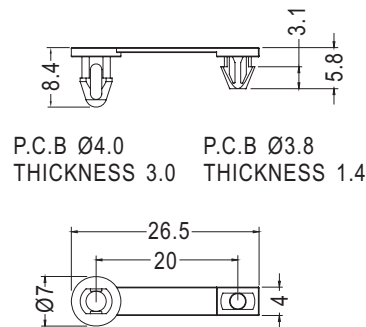
PART NO	PACKAGE
LPZ-1	1000

1

# P.C.B HINGE

PLASTECH

- ♦ MATERIAL: NYLON 66 (UL)
- ♦ FLAME CLASS :94V-0/94V-2
- ♦ COLOR: BLACK
- ♦ UNIT: mm

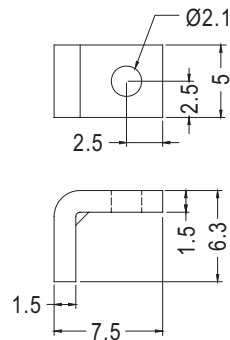
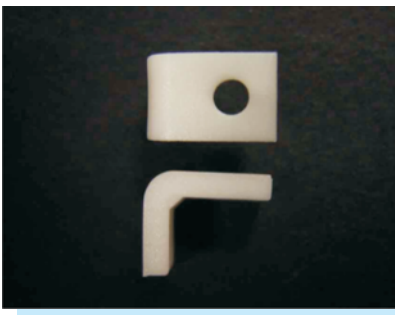


PART NO	PACKAGE
LPZ-2	1000

# BRACKET

PLASTECH

- ♦ MATERIAL: NYLON 66 (UL)
- ♦ FLAME CLASS :94V-0/94V-2
- ♦ COLOR: NATURAL
- ♦ UNIT: mm



PART NO	PACKAGE
DELT-19	1000