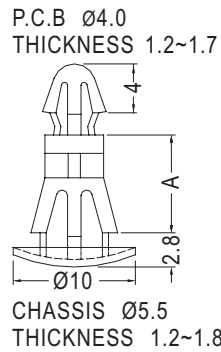
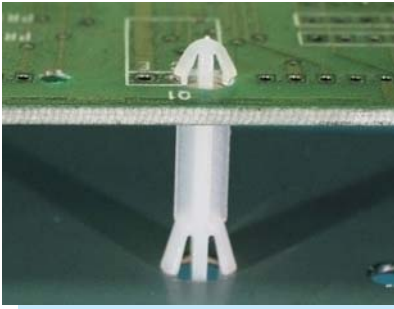


SPACER SUPPORT

PLASTECH

- MATERIAL: NYLON 66 (UL)
- FLAME CLASS :94V-2
- COLOR: NATURAL
- UNIT: mm



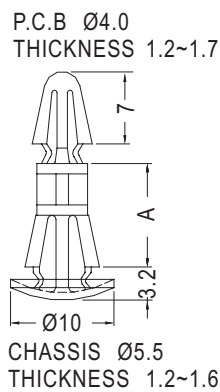
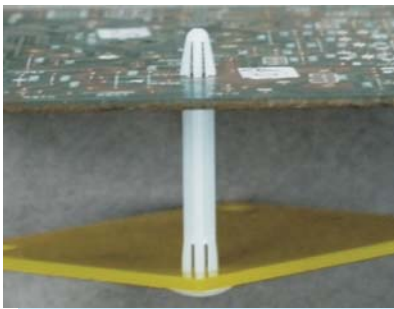
PART NO	A	PACKAGE
RBS-5	5.0	1000
RBS-6	6.0	
RBS-7	7.0	
RBS-8	8.0	
RBS-10	10.0	
RBS-12	12.0	
RBS-14	14.0	
RBS-18	18.0	

1

SPACER SUPPORT

PLASTECH

- MATERIAL: NYLON 66 (UL)
- FLAME CLASS :94V-2/94V-0
- COLOR: NATURAL
- UNIT: mm

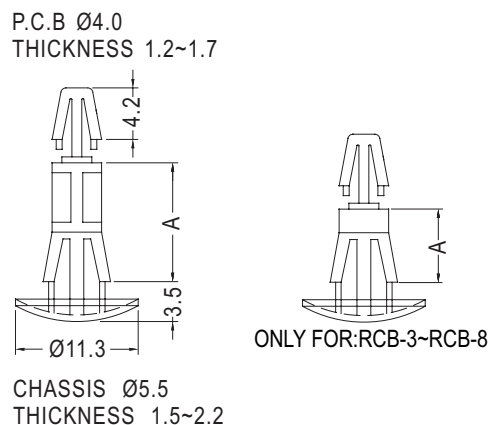
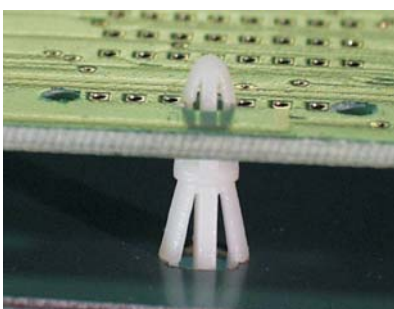


PART NO	A	PACKAGE
RBT-19	19.0	1000
RBT-28.2	28.2	

SPACER SUPPORT

PLASTECH

- MATERIAL: NYLON 66 (UL)
- FLAME CLASS :94V-2
- COLOR: NATURAL/BLACK
- UNIT: mm



PART NO	A	PACKAGE
RCB-3	3.5	1000
RCB-5	5.0	
RCB-6	6.35	
RCB-8	8.0	
RCB-10	10.0	
RCB-12	12.7	
RCB-15	15.9	
RCB-19	19.0	
RCB-25	25.4	500
RCB-35	35.5	