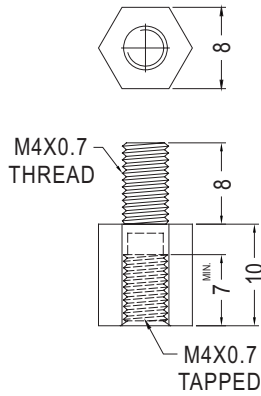


THREADED SPACER

PLASTECH

- MATERIAL: NYLON 66 (UL)
- FLAME CLASS :94V-2
- COLOR:NATURAL/BLACK
- UNIT:mm



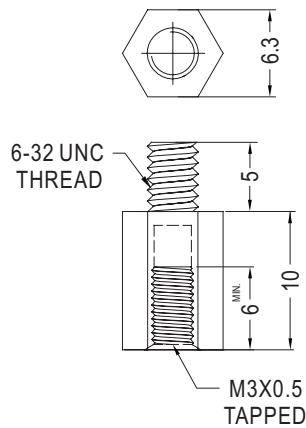
NEW

PART NO	PACKAGE
TP4-10L	1000

THREADED SPACER

PLASTECH

- MATERIAL: NYLON 66 (UL)
- FLAME CLASS :94V-2
- COLOR:NATURAL
- UNIT:mm



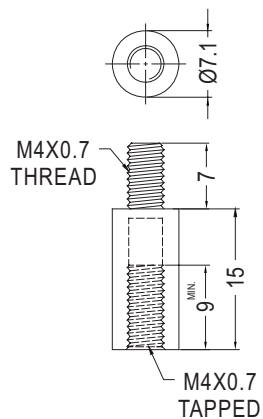
NEW

PART NO	PACKAGE
TP632-M310	1000

THREADED SPACER

PLASTECH

- MATERIAL: NYLON 66 (UL)
- FLAME CLASS:94V-2
- COLOR:NATURAL
- UNIT:mm



NEW

PART NO	PACKAGE
TPR4-15	1000