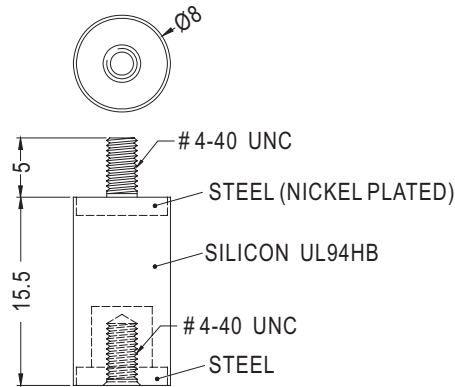


SILICON SPACER

PLASTECH

- TERMINAL MAT'L:STEEL
- FLAME CLASS :SILICON (UL) 94HB
- COLOR:GRAY
- UNIT:mm

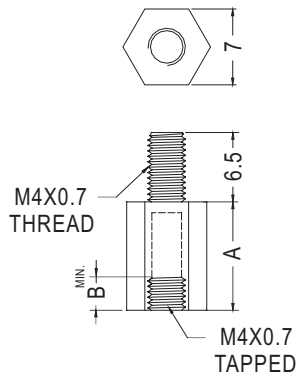


PART NO	PACKAGE
SITP-15.5	1000

THREADED SPACER

PLASTECH

- MATERIAL:NYLON 66 (UL)
- FLAME CLASS :94V-2
- COLOR:NATURAL
- UNIT:mm



PART NO	A	B	PACKAGE
TP4-6	6.0	4.0	1000
TP4-8	8.0	6.0	
TP4-10	10.0	6.0	
TP4-12	12.0	6.0	
TP4-14	14.0	6.0	
TP4-16	16.0	6.0	
TP4-20	20.0	6.0	
TP4-25	25.0	6.0	
TP4-30	30.0	6.0	
TP4-35	35.0	6.0	
TP4-40	40.0	6.0	
TP4-45	45.5	6.0	

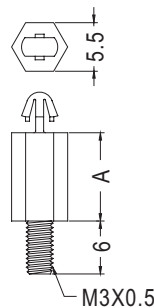
SPACER SUPPORT

PLASTECH

- MATERIAL:NYLON 66 (UL)
- FLAME CLASS :94V-2
- COLOR:NATURAL
- UNIT:mm



P.C.B Ø3.0
THICKNESS 1.6



NEW

PARTNO	A	PACKAGE
SCBA-3	3.0	1000
SCBA-4	4.0	
SCBA-5	5.0	
SCBA-6	6.0	
SCBA-7	7.0	
SCBA-8	8.0	
SCBA-9	9.0	
SCBA-10	10.0	
SCBA-11	11.0	
SCBA-12	12.0	
SCBA-13	13.0	
SCBA-14	14.0	
SCBA-15	15.0	
SCBA-16	16.0	