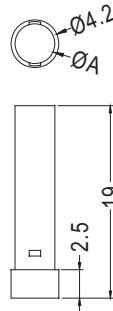


SUPPORT

PLASTECH

- MATERIAL:PC (UL)
- FLAME CLASS :94V-0/94V-2
- COLOR:NATURAL
- UNIT:mm



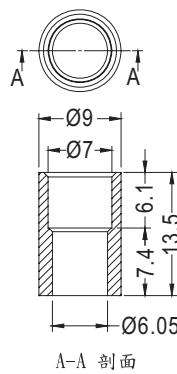
PART NO	A	PACKAGE
DELTA-2	3.5	1000
★ DELTA-6	3.0	

1

SUPPORT

PLASTECH

- MATERIAL:NYLON 66 / NYLON 6T
- COLOR:BLACK
- UNIT:mm



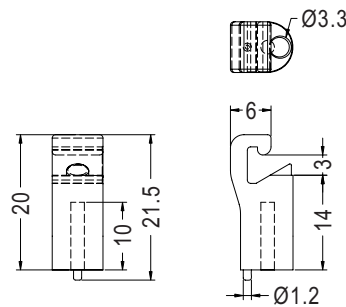
PART NO	PACKAGE
R7-13	1000

SPACER SUPPORT

PLASTECH

- MATERIAL:PC+ABS (UL)
- FLAME CLASS:94V-0/94V-2
- COLOR:NATURAL
- UNIT:mm

NEW



PART NO	PACKAGE
KESS-19	500