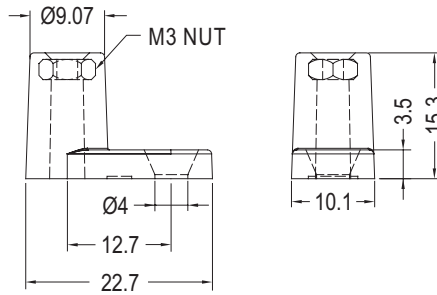


# SPACER SUPPORT

PLASTECH

- BODY MATERIAL:ABS (UL) 94HB
- NUT MATERIAL:IRON
- COLOR:NATURAL
- UNIT:mm

NEW



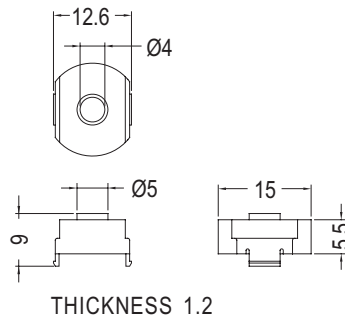
PART NO	PACKAGE
LLCB3-15	1000

# SPACER SUPPORT

PLASTECH

- MATERIAL:NYLON 66 (UL)
- FLAME CLASS:94V-2
- COLOR:NATURAL
- UNIT:mm

NEW



PART NO	PACKAGE
DDMC-5.5	1000