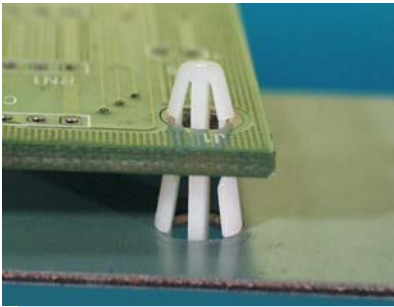


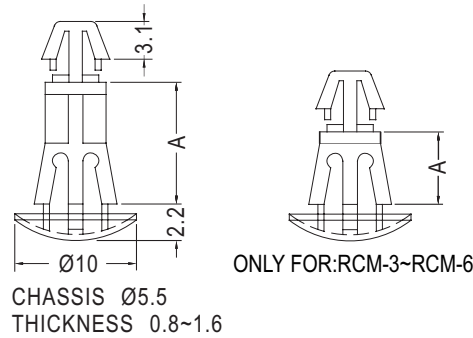
SPACER SUPPORT

PLASTECH

- MATERIAL: NYLON 66 (UL)
- FLAME CLASS :94V-2/94V-0
- COLOR:NATURAL
- UNIT:mm



P.C.B Ø4.0
THICKNESS 1.2~1.7



PART NO	A	PACKAGE
RCM-3	3.5	1000
RCM-5	5.0	
RCM-6	6.35	
RCM-7	7.0	
RCM-8	8.0	
RCM-8.5	8.5	
RCM-10	10.0	
RCM-12A	12.0	
RCM-12	12.7	
RCM-13.5	13.5	
RCM-14	14.0	
RCM-15	15.2	
RCM-16	15.9	
RCM-18	18.0	
RCM-19	19.0	
RCM-20	20.0	
RCM-22	21.7	
RCM-24	24.0	
RCM-25	25.4	
RCM-30	30.0	

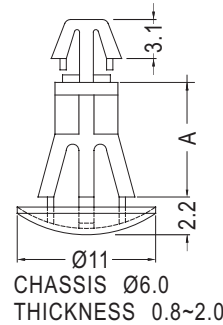
SPACER SUPPORT

PLASTECH

- MATERIAL: NYLON 66 (UL)
- FLAME CLASS :94V-2
- COLOR:NATURAL
- UNIT:mm



P.C.B Ø4.0
THICKNESS 1.2~1.7

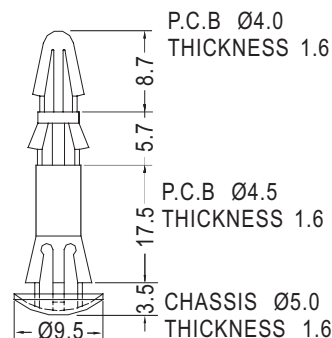


PART NO	A	PACKAGE
RCF-5	5.0	2000
RCF-6	6.35	
RCF-8	8.0	1000
RCF-10	10.0	
RCF-12	12.7	
RCF-15	15.9	

SPACER SUPPORT

PLASTECH

- MATERIAL: NYLON 66 (UL)
- FLAME CLASS :94V-2
- COLOR:NATURAL
- UNIT:mm



PART NO	PACKAGE
DRCB-18	1000