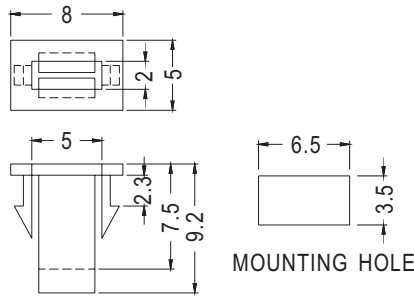
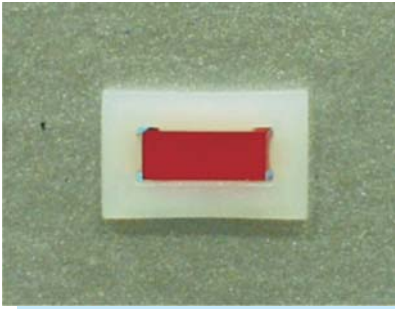


LED HOLDER

PLASTECH

- MATERIAL: NYLON 66 (UL)
- FLAME CLASS :94V-2
- COLOR: NATURAL/BLACK/COMPUTER
- UNIT: mm



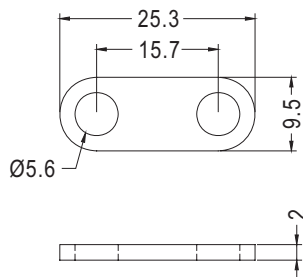
| PART NO | PACKAGE |
|---------|---------|
| LEQ-1 | 2000 |

2

LED SPACER SUPPORT

PLASTECH

- MATERIAL: NYLON 66 (UL)
- FLAME CLASS: 94V-2
- COLOR: BLACK
- UNIT: mm



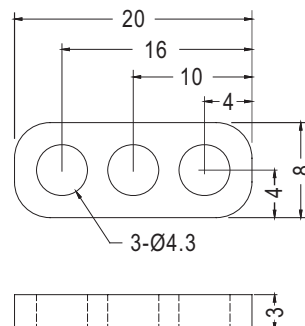
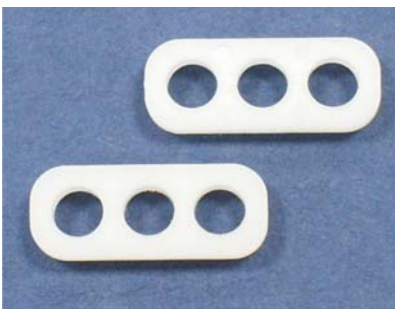
NEW

| PART NO | PACKAGE |
|---------|---------|
| PUCP-1 | 1000 |

LED SPACER SUPPORT

PLASTECH

- MATERIAL: NYLON 66 (UL)
- FLAME CLASS :94V-2
- COLOR: NATURAL
- UNIT: mm



| PART NO | PACKAGE |
|---------|---------|
| LEDI3-3 | 1000 |