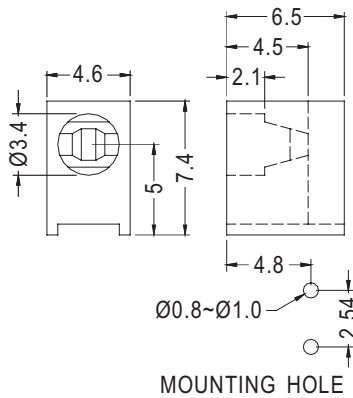
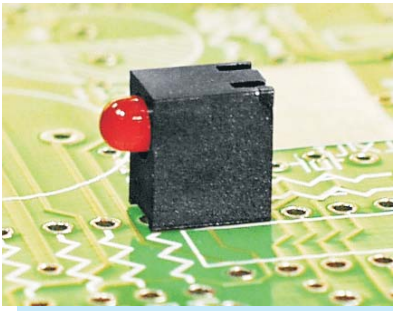


# LED SPACER SUPPORT

PLASTECH

- MATERIAL: NYLON 66 (UL)
- FLAME CLASS :94V-2
- COLOR: BLACK
- UNIT: mm



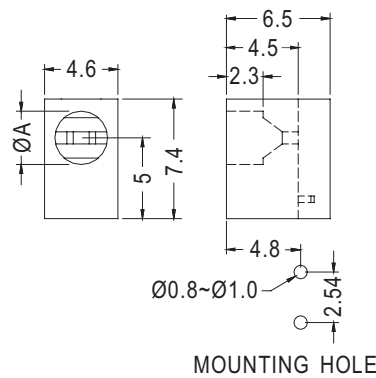
PART NO	PACKAGE
LED-301	2000

3

# LED SPACER SUPPORT

PLASTECH

- MATERIAL: NYLON 66 (UL)
- FLAME CLASS :94V-2
- COLOR: BLACK
- UNIT: mm

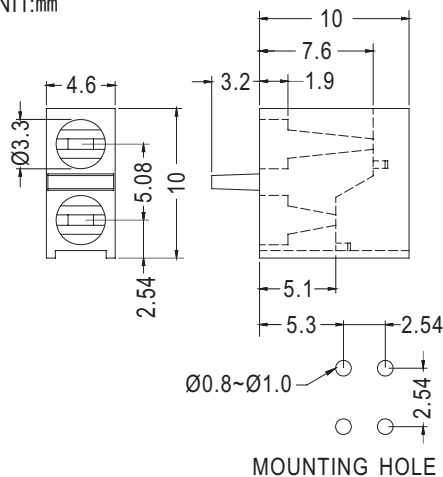
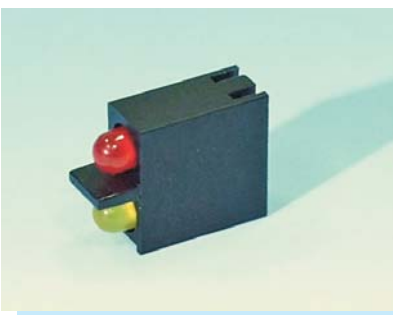


PART NO	A	PACKAGE
LED-301A	Ø3.4	2000
LED-301(B)	Ø3.3	1000

# LED SPACER SUPPORT

PLASTECH

- MATERIAL: NYLON 66 (UL)
- FLAME CLASS :94V-2
- COLOR: BLACK
- UNIT: mm



PART NO	PACKAGE
LED-305	1000