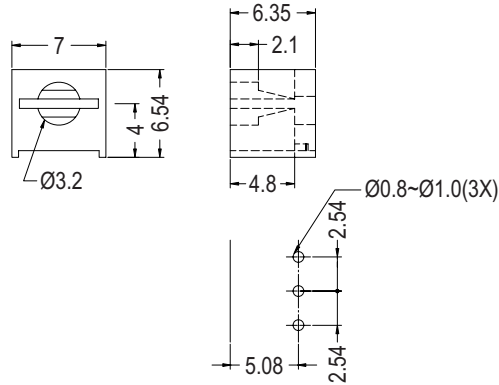


# LED SPACER SUPPORT

PLASTECH

- MATERIAL: NYLON 66 (UL)
- FLAME CLASS : 94V-2
- COLOR: BLACK
- UNIT: mm



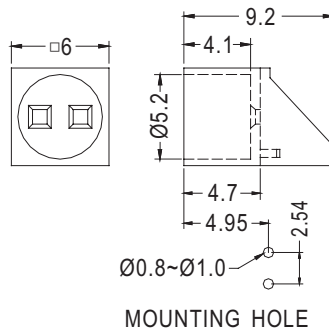
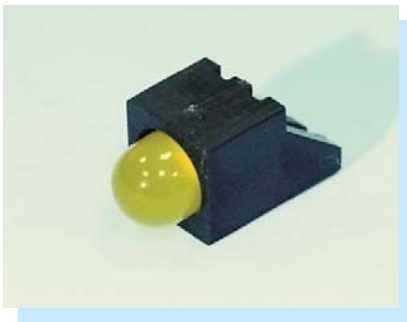
NEW

PART NO	PACKAGE
LED-343	1000

# LED SPACER SUPPORT

PLASTECH

- MATERIAL: NYLON 66 (UL)
- FLAME CLASS : 94V-2
- COLOR: BLACK
- UNIT: mm

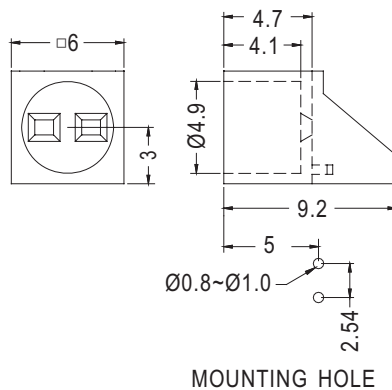
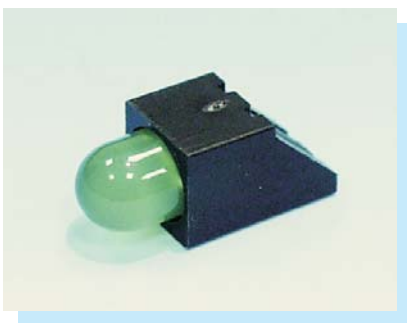


PART NO	PACKAGE
LED-502	2000

# LED SPACER SUPPORT

PLASTECH

- MATERIAL: NYLON 66 (UL)
- FLAME CLASS : 94V-2
- COLOR: BLACK
- UNIT: mm



PART NO	PACKAGE
LED-502S	2000